

Presence detector P46LR, DALI-2, secondary - BMS, 32-37 m, for flush-mounting box, white

353-750021



DALI-2



secondary - BMS



IP20



360°



ø 37 m from a height of 3 m



2 m – 3.5 m



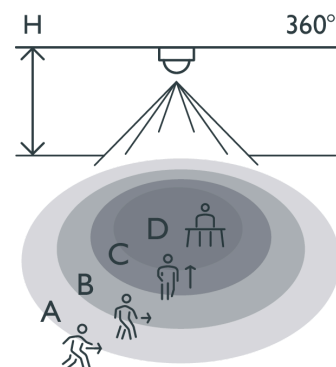
flush-mounting box



Bluetooth®
Low Energy



Detection range



H	A Walking	B Across	C Towards	D Presence
2.5 m	ø 32 m	ø 28 m	ø 10 m	ø 8 m
3.0 m	ø 37 m	ø 30 m	ø 8 m	ø 5 m
3.5 m	ø 48 m	ø 42 m	ø 8 m	ø 6 m

Measured according to EN/IEC63180



This presence detector is a DALI-2 secondary and BMS detector that extends the detection range of a DALI master detector or as part of a BMS system. The detector is specially designed for mounting in a standard flush-mounting box (60 or 79 mm diagonal screw distance). If the detector is used as a secondary detector and connected to a DALI bus controlled by a DALI master detector, it will start communicating with this master detector without further commissioning. If it is connected to the DALI bus of a BMS system, the detector needs to be commissioned with the BMS software. The detector's settings can be modified using the Niko detector tool app and 2-way Bluetooth® communication between a smartphone and the detector or using the BMS software.

Colour: white

Compatible secondary detectors:

Compatible master detectors: 353-650321, 353-651321, 353-651321-1, 353-651321-3, 353-651421, 353-651421-1, 353-651421-2, 353-651421-3, 353-651421-4, 353-652321, 353-652421, 353-750321, 353-751321, 353-751321-1, 353-751321-3, 353-751421, 353-751421-1, 353-751421-2, 353-751421-3, 353-751421-4, 353-752321, 353-752421, 353-852411

Compatible controls:

This article is protected by at least one patent (or patent application). For more info on patents, see www.niko.eu/innovation.

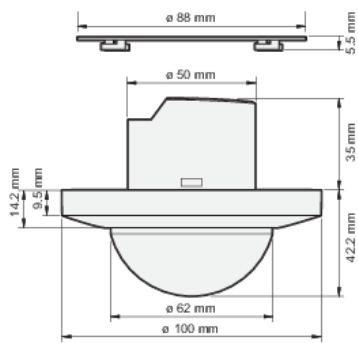
- Easy installation thanks to the direct connection to the DALI bus
- Communication with the master or BMS system via the DALI bus
- Power supply via the DALI bus
- Easy mounting in a standard European-flush mounting box
- Quick cabling using screwless and easily accessible plug-in terminals
- User-friendly app for settings (iOS/Android) or BMS software
- 2-way Bluetooth® communication ensures quick modification of settings and live feedback in the app
- Fitted with three PIR segments, each covering 120°
- Pre-configured functions:
- Settings and configuration can be locked with a PIN-code

Technical features

attribute.compatiblemasterdetectors 353-650321, 353-651321, 353-651321-1, 353-651321-3, 353-651421, 353-651421-1, 353-651421-2, 353-651421-3, 353-651421-4, 353-652321, 353-652421, 353-750321, 353-751321, 353-751321-1, 353-751321-3, 353-751421, 353-751421-1, 353-751421-2, 353-751421-3, 353-751421-4, 353-752321, 353-752421, 353-852411

Configuration	secondary - BMS
Input voltage	30 Vdc via DALI-bus
Detector output	DALI-2
Maximum current consumption	28.1 mA
Nominal current consumption (12 V, 25°C), Bluetooth® enabled	8.1 mA
Nominal current consumption (12 V, 25°C), Bluetooth® disabled	5 mA
Maximum startup time DALI	<1,200 ms
Maximum PIR detection startup time	70 sec
Maximum MCB rating	16 A (limited by national installation rules)
Detection angle	360 °
Detection range (PIR)	ø 37 m from a height of 3 m
Minimum ambient temperature	-25 °C
Maximum ambient temperature	+40 °C
Mounting method	flush-mounting box
Mounting height	2 m – 3.5 m
Colour	white
Colour RAL (approximately)	9010
Dimensions visible (HxWxD)	100 mm x 100 mm
Dimensions (HxWxD)	100 mm x 100 mm x 77.2 mm
Maximum range Bluetooth® (free field, depending on the device)	50 m
Operating frequency	2.4 GHz
Maximum radio frequency power	-2 dBm
Protection degree standalone	IP20
Impact resistance	IK04
Modification of settings	Niko detector tool app (iOS-Android) and 2-way Bluetooth® communication - BMS software
Halogen-free	yes

Dimensions



Wiring diagram

