

Product data

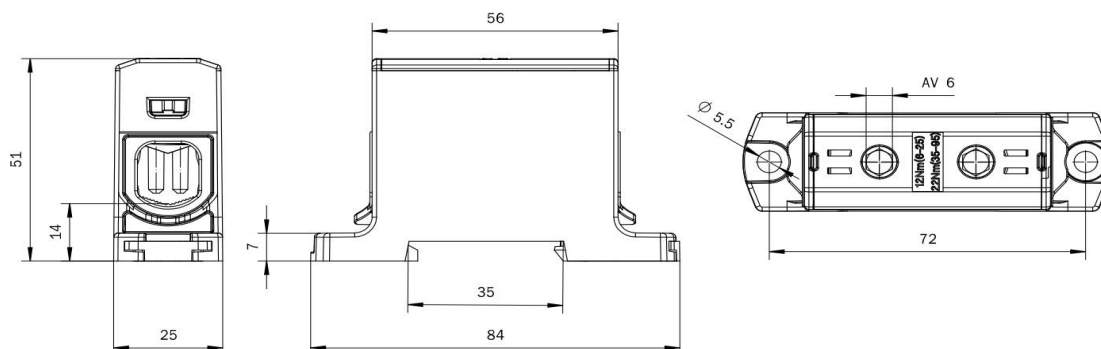
Product code	VC05-0050	STK-code	1914113	EAN-code	6410019141139
Product name	OTL-connector 1xAl/Cu 6-95mm ² (Blue)			ETIM class	EC000897
Wires	1xAl/Cu 6-95 mm ²				

Technical data

Nominal current (IEC)	Cu	245	A
	Al	220	A
Nominal voltage (IEC)	1000 V AC / 1500 V DC		
Max. Current (US)	Cu	230	A
	Al	180	A
Max. Voltage (US)	1000 V		
Number of poles	1		pcs
Max. Cross section	95		mm ²
Tightening torque			
	6-25 mm ² (3-10 AWG)	12	Nm
	35-95 mm ² (4/0-2 AWG)	22	Nm
Min. installation temperature	+5		°C
Operating temperature	-25...+80		°C
Weight	65		g
IP-protection	IP20		
Standards	EN 61238-1:2003; EN 60947-7-(1-2):2009; UL1059 & CSA C22.2 No. 158-10		
Color / Material	Blue RAL 5015/ PA66-V0		
Mounting / Connection	DIN-rail and screw (M5) mounting		


Description

OTL-connectors are designed for connecting and branching aluminium and copper conductors. The body is made of tin plated aluminium. Housing is made of UL94 V0 class polyamide. Made in Finland.

Drawing

Package

Package	Box	Pcs / Package	24	Weight [kg]	1,70
Length [mm]	205	Width [mm]	180	Height [mm]	135

Ouneva Oy

Teollisuustie 21
FI-82730 Tuupovaara
Finland

www.ounevagroup.fi

www.ounevaproducts.fi