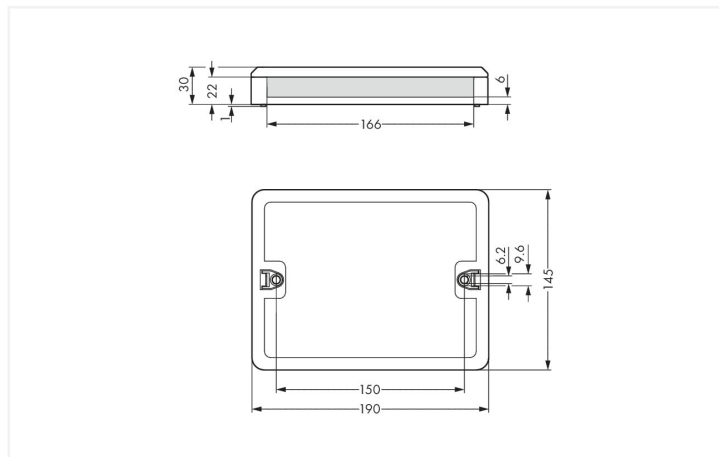




Color: ■ black



Dimensions in mm

### Empty housings WINSTA®

The empty housings from the WINSTA® product line is the intelligent solution for trouble-free electrical installation. You can rely on the level of quality of WINSTA® components from WAGO for your electrical installation accessories too.

Lower costs through fast commissioning and elimination of service expenses – solutions from WINSTA®

The WINSTA® Pluggable Connection System is perfectly tailored to the very strict requirements of building installation. It makes electrical installation pluggable, and thus more efficient, more reliable, and error-free. Using this pre-assembled system decreases assembly times and errors during installation at the construction site. Now you can also cut installation costs without compromising quality and safety: with protection against mismatching reduces the need for servicing and prevents unnecessary downtime.

- intuitive distribution box marking
- products perfectly tailored to your requirements guarantee safe use
- convenient installation and commissioning

### Notes

Note	For easy cable connection, do not arrange the connectors directly next to each other in the distribution box.
------	---

### Physical data

Width	190 mm / 7.48 inches
Height	30 mm / 1.181 inches
Depth	145 mm / 5.709 inches

### Mechanical data

Application	Self-Assembly
Mounting type	Wall, screw mount Installation on mounting plate

### Material data

Note (material data)	<a href="https://www.wago.com/us/material-specifications">Information on material specifications can be found here</a>
Color	black
Insulation material	Polyamide (PA66)
Flammability class per UL94	V0
Fire load	5.716 MJ
Weight	195.4 g

### Environmental requirements

Processing temperature	-5 ... +40 °C
Continuous operating temperature	-35 ... +85 °C
Note on continuous operating temperature	Insulating parts for temperatures ≤ 105 °C

### Commercial data

eCl@ss 10.0	27-44-06-03
eCl@ss 9.0	27-44-06-03
ETIM 8.0	EC002567
ETIM 7.0	EC002567
PU (SPU)	1 pcs
Packaging type	Box
Country of origin	DE
GTIN	4055143315630
Customs tariff number	85366990990

### Environmental Product Compliance

RoHS Compliance Status	Compliant, No Exemption
------------------------	-------------------------

### Downloads


#### Environmental Product Compliance

##### Compliance Search

Environmental Product Compliance 899-631	
--	---

### Documentation

#### Bid Text

899-631	19.02.2019	xml 2.94 KB	
899-631	16.03.2015	doc 24.00 KB	

## 1 Compatible Products

### 1.1 Optional Accessories

#### 1.1.1 Installation

##### 1.1.1.1 Mounting accessories



**Item No.: 770-630**

Fixing pin; for distribution boxes; Plastic; gray



**Item No.: 890-302**

Mounting carrier; 2-pole; for sockets and plugs; Plastic; gray



**Item No.: 890-303**

Mounting carrier; 3-pole; for sockets and plugs; Plastic; gray



**Item No.: 890-304**

Mounting carrier; 4-pole; for sockets and plugs; Plastic; gray



**Item No.: 890-305**

Mounting carrier; 5-pole; for sockets and plugs; Plastic; gray



**Item No.: 899-680**

Mounting plate; for distribution boxes; gray

## Installation Notes

### Installation



## Application



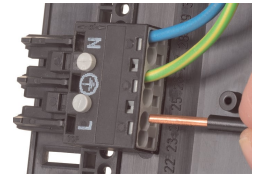
The set includes: 1 bottom, 1 lid, 2 side-walls and 16 mounting pins.



Remove unrequired sections from the side-walls.



Unassigned slots and spaces are closed by inserting a side-wall.



Using mounting pins to secure WINSTA® MIDI connectors in a distribution box .



Using adapters to install WINSTA® MINI connectors in a distribution box