



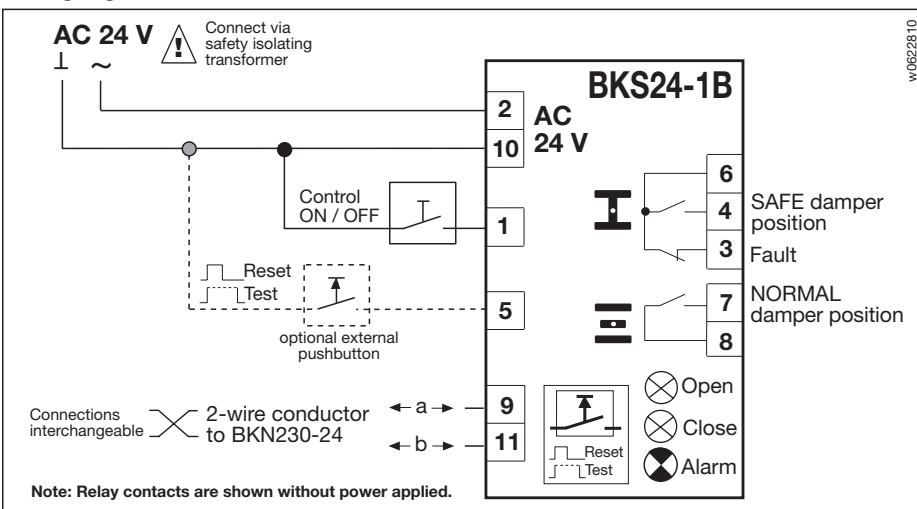
## Control and monitoring of motorized fire and smoke dampers in combination with the Communication and Power Supply Unit BKN230-24

### Mode of operation

The BKS24-1B unit receives status information about the fire and smoke damper and issues control commands to it via the Communication and Power Supply Unit BKN230-24.

**LEDs** on the front of the unit signal the operating status of the damper and the presence of faults anywhere in the system.

### Wiring diagram



**Floating auxiliary contacts** allow the unit to be linked into higher level systems (such as damper end position indicators, fault alarms, fan enabling, etc.).

**Function testing** of the fire and smoke damper systems by pressing the "RESET/TEST" pushbutton.

### Accessory

ZSO-11 plug socket suitable for 35 mm DIN rail mounting (order separately)

**Detailed functional sequences** see over.

**Typical wiring diagram** see over.

Signalling and diagnosis			
LEDs		Contacts	Description
⊗ Open	⊗ Close	⊗ Alarm	Status
⊗ OFF	⊗ OFF	⊗ OFF	Causes / Sequence
⊗ ON	⊗ ON	⊗ ON	<b>No AC 24 V</b> power supply
⊗ ON	⊗ ON	⊗ ON	<b>Test run ca. 35 s</b> , triggered by: AC 24 V energising or by pressing "Reset / Test"
⊗ OFF	⊗ OFF	⊗ flash	<b>New fault</b> , possible causes: • Short-circuit or open-circuit in 2-wire conductor or damper fault (BKN...) • No AC 230 V • Defective thermal trip • Smoke detector triggered • Running time exceeded • Damper jammed
⊗ OFF	⊗ OFF	⊗ ON	<b>Stored fault</b> • Signal given that there has been a fault in the system and it should be checked
⊗ OFF	⊗ flash	⊗ OFF	Damper (actuator) <b>moving to</b> the safe position
⊗ OFF	⊗ ON	⊗ OFF	Damper in the <b>safe position</b> <b>I</b>
⊗ flash	⊗ OFF	⊗ OFF	Damper (actuator) <b>moving to</b> the operating position
⊗ ON	⊗ OFF	⊗ OFF	Damper in the <b>operating position</b> <b>III</b>

Technical data	BKS24-1B
Nominal voltage	AC 24 V 50/60Hz
Nominal voltage range	AC 19.2...28.8 V
For wire sizing	3 VA
Power consumption	2.5 W
Connection	Submagnal connector 11 pole, suitable for ZSO-11 socket (ZSO-11 plug socket not included, order separately!)
Auxiliary switches	6 A (2 A), AC 24 V
Protection class	⊕ (safety low voltage)
Degree of protection	IP 30
Ambient temperature range	0...+ 50 °C
EMC	CE according to 89/336/EEC
Maintenance	maintenance free
Weight	150 g

### Dimensions

