

Motion detector M46HC, DALI-2, secondary - BMS, 18-53 m, IP54, for high ceilings, for surface mounting, white

353-852011



DALI-2



secondary -
BMS



IP54



360°



ø 53 m from a
height of 12
m



4 m – 12 m



surface-
mounting



Bluetooth®
Low Energy



This high ceiling detector is a DALI-2 secondary and BMS detector that extends the detection range of a DALI master detector or as part of a BMS system. It is designed for surface mounting and has an IP54 protection degree. If the detector is used as a secondary detector and connected to a DALI bus controlled by a DALI master detector, it will start communicating with this master detector without further commissioning. If it is connected to the DALI bus of a BMS system, the detector needs to be commissioned with the BMS software. The detector's settings can be modified using the Niko detector tool app and 2-way Bluetooth® communication between a smartphone and the detector or using the BMS software.

Colour: white

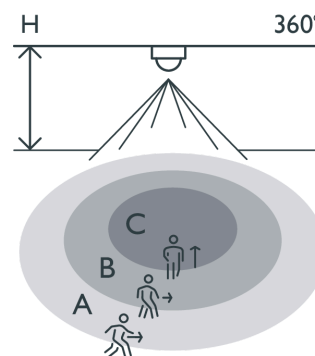
Compatible secondary detectors:

Compatible master detectors: 353-650321, 353-651321, 353-651321-1, 353-651321-3, 353-651421, 353-651421-1, 353-651421-2, 353-651421-3, 353-651421-4, 353-652321, 353-652421, 353-750321, 353-751321, 353-751321-1, 353-751321-3, 353-751421, 353-751421-1, 353-751421-2, 353-751421-3, 353-751421-4, 353-752321, 353-752421, 353-852411

Compatible controls:

This article is protected by at least one patent (or patent application). For more info on patents, see www.niko.eu/innovation.

Detection range



H	A Walking	B Across	C Towards
4.0 m	ø 18 m	ø 18 m	ø 11 m
8.0 m	ø 35 m	ø 33 m	ø 23 m
12.0 m	ø 53 m	*	ø 13 m

* not specified

Measured according to EN/IEC63180

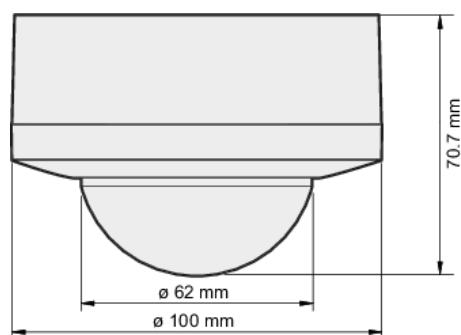


- High ceiling detector for surface mounting
- Easy installation thanks to the direct connection to the DALI bus
- Communication with the master via the DALI bus
- Power supply via the DALI bus
- Quick cabling using screwless and easily accessible plug-in terminals
- Screwless strain relief and screwless installation of cable cover
- User-friendly app for settings (iOS/Android)
- 2-way Bluetooth® communication ensures quick modification of settings and live feedback in the app
- Fitted with three PIR segments, each covering 120°
- Pre-configured functions:
 - Settings and configuration can be locked with a PIN code
 - IP54 protection degree

Technical features

attribute.compatiblemasterdetectors	353-650321, 353-651321, 353-651321-1, 353-651321-3, 353-651421, 353-651421-1, 353-651421-2, 353-651421-3, 353-651421-4, 353-652321, 353-652421, 353-750321, 353-751321, 353-751321-1, 353-751321-3, 353-751421, 353-751421-1, 353-751421-2, 353-751421-3, 353-751421-4, 353-752321, 353-752421, 353-852411
Configuration	secondary - BMS
Input voltage	30 Vdc via DALI-bus
Detector output	DALI-2
Maximum current consumption	28.1 mA
Nominal current consumption (12 V, 25°C), Bluetooth® enabled	8.1 mA
Nominal current consumption (12 V, 25°C), Bluetooth® disabled	5 mA
Maximum startup time DALI	<1,200 ms
Maximum PIR detection startup time	70 sec
Maximum MCB rating	16 A (limited by national installation rules)
Detection angle	360 °
Detection range (PIR)	ø 53 m from a height of 12 m
Minimum ambient temperature	-25 °C
Maximum ambient temperature	+40 °C
Mounting method	surface mounting
Mounting height	4 m – 12 m
Colour	white
Colour RAL (approximately)	9010
Dimensions visible (HxWxD)	100 mm x 100 mm
Dimensions (HxWxD)	100 mm x 100 mm x 70.7 mm
Maximum range Bluetooth® (free field, depending on the device)	50 m
Operating frequency	2.4 GHz
Maximum radio frequency power	-2 dBm
Protection degree standalone	IP54
Impact resistance	IK03
Modification of settings	Niko detector tool app (iOS-Android) and 2-way Bluetooth® communication - BMS software
Halogen-free	yes

Dimensions



Wiring diagram

