

# Presence detector P49MR, DALI-2, BMS, 12-13 m, for flush-mounting box, white

353-650521



DALI-2



BMS



IP20



360°



12 m from a height of 3 m



2 m – 3.5 m



flush-mounting box



Bluetooth®  
Low Energy



## BMS DETECTOR, MEDIUM RANGE FOR FLUSH-MOUNTING BOX

This DALI-2 certified BMS detector can be integrated into building management systems together with third-party DALI-2 application controller.

## OPTIMISE THE DALI SYSTEM WITH LOWER CURRENT CONSUMPTION

This detector is specifically designed for low current consumption, which optimises the total number of devices in a DALI system. By disabling the wireless Bluetooth® communication, current consumption can be minimised even further.

## ACCURATE LIGHTING CONTROL

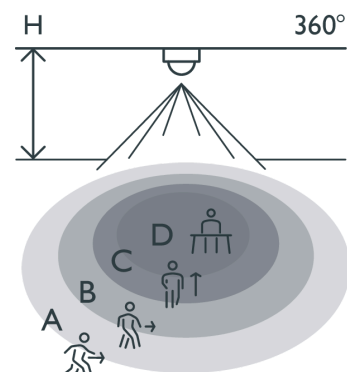
The detector is equipped with an integrated PIR sensor for DALI-2 commands according to IEC62386-303, as well as a light sensor for DALI-2 commands according to IEC62386-304 for measuring the light level. The light sensor operates in two ranges: 0 – 1023 lux and 0 – 10360 lux, ensuring flexible and accurate lighting control.

## ADVANTAGES OF DALI-2 BMS DETECTORS

This detector is perfect for buildings with high demands on energy efficiency and comfort. It is typically used to automate lighting control, heating, ventilation and air conditioning (HVAC).

SAVE TIME ON INSTALLATION AND GET RELIABLE RANGE ACCORDING TO IEC63180

## Detection range



H	A Walking	B Across	C Towards	D Presence
2.5 m	∅ 13 m	∅ 11 m	∅ 3 m	∅ 5 m
3.0 m	∅ 12 m	∅ 12 m	∅ 3 m	∅ 5 m

Measured according to EN/IEC63180



The detector is specially designed for mounting in a standard flush-mounting box. The screwless and accessible plug-in terminals make the detector easy to install. The detection range of the P40 and M40 series is tested and documented by an independent third-party laboratory in a controlled environment, following the IEC63180 standard. Automated, repeated testing ensures consistent reliability and high precision.

## FUNCTIONS

- Detection range:  $\varnothing$  12 m at a mounting height of 3 m
- Adjustable PIR sensitivity (4 levels)
- Sensitivity settings via Niko detector tool app or BMS software, can be locked with PIN code
- Wireless Bluetooth® communication can be disabled via BMS software

## EASY COMMISSIONING

- Communication with the overall BMS system takes place via the DALI bus
- Configuration and settings via BMS software

This article is protected by at least one patent (or patent application). For more info on patents, see [www.niko.eu/innovation](http://www.niko.eu/innovation).

- Flat and discrete design
- Easy installation thanks to the direct connection to the DALI bus
- Communication with the BMS system via the DALI bus
- Power supply via the DALI bus
- Easy mounting in a standard flush-mounting box (60 or 79 mm diagonal screw distance)
- Quick cabling using screwless and easily accessible plug-in terminals
- User-friendly app for settings (iOS/Android) or BMS software
- Communication between smartphone and detector via Bluetooth®
- Possible to disable Bluetooth® communication
- Pre-configured functions:
  - adjustable PIR sensitivity (4 levels)
  - event log keeps track of recent changes
- Settings can be locked with a PIN-code

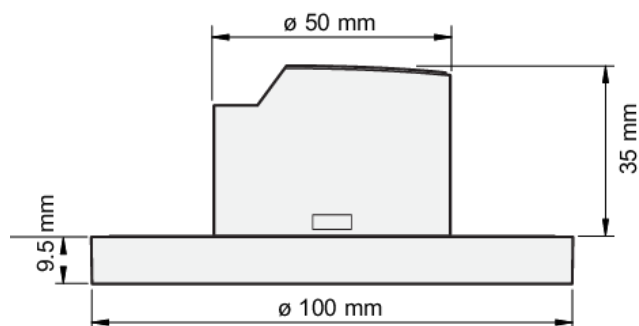
## Technical features

Configuration	BMS
Input voltage	30 Vdc via DALI-bus
Detector output	DALI-2
Maximum current consumption	10 mA
Nominal current consumption (12 V, 25°C), Bluetooth® enabled	4 mA
Nominal current consumption (12 V, 25°C), Bluetooth® disabled	3 mA
Maximum startup time DALI	<1,200 ms
Maximum PIR detection startup time	70 sec
Detection angle	360 °
Detection range (PIR)	12 m from a height of 3 m
Minimum ambient temperature	-25 °C
Maximum ambient temperature	+40 °C
Mounting method	flush-mounting box
Mounting height	2 m – 3.5 m
Colour	white
Colour RAL (approximately)	9010
Dimensions visible (HxWxD)	100 mm x 100 mm
Dimensions (HxWxD)	100 mm x 100 mm x 44.5 mm
Maximum range Bluetooth® (free field, depending on the device)	50 m
Operating frequency	2.4 GHz
Maximum radio frequency power	-2 dBm
Protection degree standalone	IP20
Impact resistance	IK02
Modification of settings	Niko detector tool app (iOS-Android) and BMS software
Halogen-free	yes
Marking	CE

## Accessories

353-999869	Lens cover for P4XMR and M4XMR detectors, transparent (5 pieces)
353-990992	Deco ring for flush-mounted P4XMR and M4XMR detectors, black
353-999869	Lens cover for P4XMR and M4XMR detectors, transparent (5 pieces)
353-990992	Deco ring for flush-mounted P4XMR and M4XMR detectors, black

## Dimensions



## Wiring diagram

