

Product data

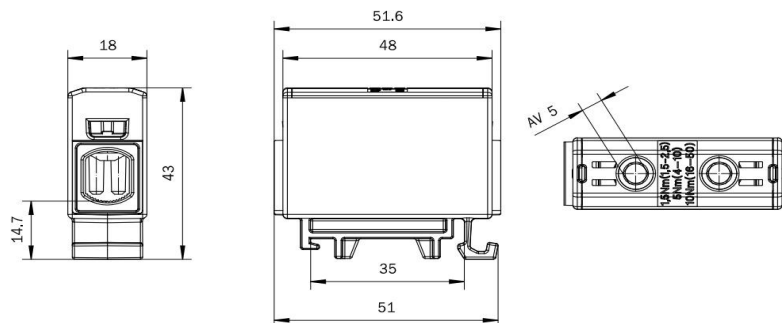
Product code	VC05-0143	STK-code	1912025	EAN-code	6410019120257
Product name	OTL-connector 1xAl/Cu 1,5-50mm ² (Black)			ETIM class	EC000897
Wires	1xAl/Cu 1,5-50 mm ²				

Technical data

Nominal current (IEC)	Cu	160	A
	Al	145	A
Nominal voltage (IEC)	1000 V AC / 1500 V DC		
Max. Current (US)	Cu	150	A
	Al	120	A
Max. Voltage (US)	1000 V		
Number of poles	1		pcs
Max. Cross section	50		mm ²
Tightening torque			
	1,5-2,5 mm ² (14-16 AWG)	1,5	Nm
	4-10 mm ² (8-12 AWG)	5	Nm
	16-50 mm ² (1/0-6 AWG)	10	Nm
Min. installation temperature	+5		°C
Operating temperature	-25...+80		°C
Weight	30		g
IP-protection	IP20		
Standards	EN 61238-1:2003; EN 60947-7-(1-2):2009; UL1059 & CSA C22.2 No. 158-10		
Color / Material	Black RAL 9017/ PA66-V0		
Mounting / Connection	DIN-rail mounting		


Description

OTL-connectors are designed for connecting and branching aluminium and copper conductors. The body is made of tin plated aluminium. Housing is made of UL94 V0 class polyamide. Made in Finland.

Drawing

Package

Package	Box	Pcs / Package	48	Weight [kg]	1,50
Length [mm]	165	Width [mm]	110	Height [mm]	150

Ouneva Oy

Teollisuustie 21
FI-82730 Tuupovaara
Finland

www.ounevagroup.fi

www.ounevaproducts.fi