

Product data

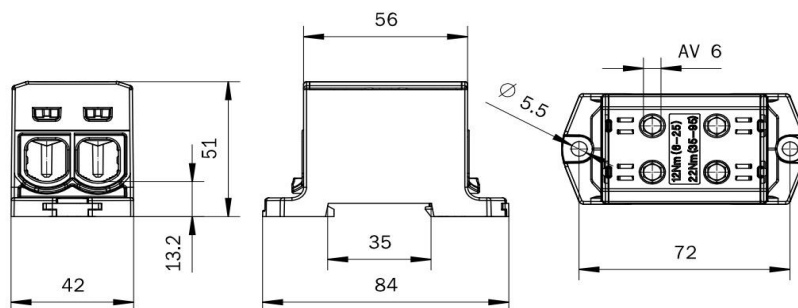
Product code	VC05-0148	STK-code	1912038	EAN-code	6410019120387
Product name	OTL-connector 2xAl/Cu 6-95mm ² (Red)			ETIM class	EC000897
Wires	2xAl/Cu 6-95 mm ²				

Technical data

Nominal current (IEC)	Cu	490	A
	Al	220	A
Nominal voltage (IEC)	1000 V AC / 1500 V DC		
Max. Current (US)	Cu	2x230	A
	Al	180	A
Max. Voltage (US)	1000 V		
Number of poles	1 pcs		
Max. Cross section	95 mm ²		
Tightening torque	-		
	6-25 mm ² (3-10 AWG)	12	Nm
	35-95 mm ² (4/0-2 AWG)	22	Nm
Min. installation temperature	+5 °C		
Operating temperature	-25...+80 °C		
Weight	125 g		
IP-protection	IP20		
Standards	EN 61238-1:2003; EN 60947-7-(1-2):2009; UL1059 & CSA C22.2 No. 158-10		
Color / Material	Red RAL 3020/ PA66-V0		
Mounting / Connection	DIN-rail and screw (M5) mounting		


Description

OTL-connectors are designed for connecting and branching aluminium and copper conductors. The body is made of tin plated aluminium. Housing is made of UL94 V0 class polyamide. Made in Finland.

Drawing

Package

Package	Box	Pcs / Package	24	Weight [kg]	3,10
Length [mm]	285	Width [mm]	180	Height [mm]	115

Ouneva Oy

Teollisuustie 21
FI-82730 Tuupovaara
Finland

www.ounevagroup.fi

www.ounevaproducts.fi