

**Product data**

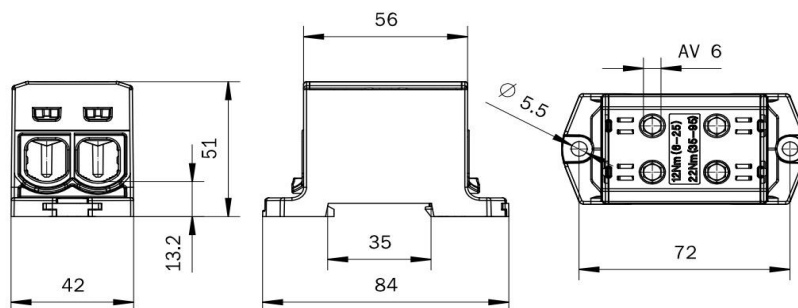
|              |   |          |                |            |                      |
|--------------|---|----------|----------------|------------|----------------------|
| Product code | <b>VC05-0149</b>                                  | STK-code | <b>1912039</b> | EAN-code   | <b>6410019120394</b> |
| Product name | OTL-connector 2xAl/Cu 6-95mm <sup>2</sup> (Black) |          |                | ETIM class | <b>EC000897</b>      |
| Wires        | 2xAl/Cu 6-95 mm <sup>2</sup>                      |          |                |            |                      |

**Technical data**

|                               |  |              |    |
|-------------------------------|--|--------------|----|
| Nominal current (IEC)         | Cu   | <b>490</b>   | A  |
|                               | Al   | <b>220</b>   | A  |
| Nominal voltage (IEC)         | <b>1000 V AC / 1500 V DC</b>   |              |    |
| Max. Current (US)             | Cu   | <b>2x230</b> | A  |
|                               | Al   | <b>180</b>   | A  |
| Max. Voltage (US)             | <b>1000</b> V  |              |    |
| Number of poles               | <b>1</b> pcs   |              |    |
| Max. Cross section            | <b>95</b> mm <sup>2</sup>  |              |    |
| Tightening torque             | -  |              |    |
|                               | 6-25 mm <sup>2</sup> (3-10 AWG)  | <b>12</b>    | Nm |
|                               | 35-95 mm <sup>2</sup> (4/0-2 AWG)  | <b>22</b>    | Nm |
| Min. installation temperature | <b>+5</b> °C   |              |    |
| Operating temperature         | <b>-25...+80</b> °C  |              |    |
| Weight                        | <b>125</b> g   |              |    |
| IP-protection                 | <b>IP20</b>  |              |    |
| Standards                     | <b>EN 61238-1:2003; EN 60947-7-(1-2):2009; UL1059 &amp; CSA C22.2 No. 158-10</b> |              |    |
| Color / Material              | <b>Black RAL 9017/ PA66-V0</b>   |              |    |
| Mounting / Connection         | <b>DIN-rail and screw (M5) mounting</b>  |              |    |


**Description**

OTL-connectors are designed for connecting and branching aluminium and copper conductors. The body is made of tin plated aluminium. Housing is made of UL94 V0 class polyamide. Made in Finland.

**Drawing**

**Package**

|             |            |               |            |             |             |
|-------------|------------|---------------|------------|-------------|-------------|
| Package     | <b>Box</b> | Pcs / Package | <b>24</b>  | Weight [kg] | <b>3,10</b> |
| Length [mm] | <b>285</b> | Width [mm]    | <b>180</b> | Height [mm] | <b>115</b>  |

**Ouneva Oy**

Teollisuustie 21  
FI-82730 Tuupovaara  
Finland

[www.ounevagroup.fi](http://www.ounevagroup.fi)

[www.ounevaproducts.fi](http://www.ounevaproducts.fi)