

# START Downlight Flat 108 IP44 600LM 840 DIM

Item No: 0054119

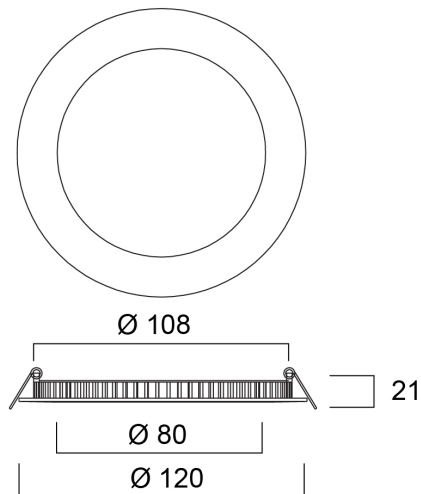
**SYLVANIA**

**START**<sup>TM</sup>



## Technical Assets

### Dimensions (mm)

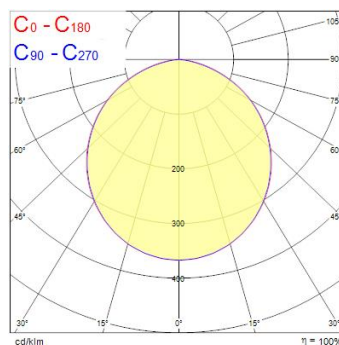


### Photometrics

Distance [m]	Cone diameter [m]	E107 E100	E100 E100	300
0.5	1.41	54.6°	55.0°	85
	1.43	54.6°	55.0°	83
1.0	2.81	54.6°	55.0°	21
	2.86	54.6°	55.0°	21
1.5	4.22	54.6°	55.0°	9
	4.28	54.6°	55.0°	9
2.0	5.63	54.6°	55.0°	5
	5.71	54.6°	55.0°	5
2.5	7.04	54.6°	55.0°	3
	7.14	54.6°	55.0°	3
3.0	8.44	54.6°	55.0°	2
	8.57	54.6°	55.0°	2

Distance [m]      Cone diameter [m]      Illuminance [lx]

— C0 - C180 (Half beam angle: 110.0°)  
— C90 - C270 (Half beam angle: 105.2°)



# START Downlight Flat 108 IP44 600LM 840 DIM

Item No: 0054119

**SYLVANIA**

## General data

Product name	START Downlight Flat 108 IP44 600LM 840 DIM
Technology	LED
Cap/Base	N/A
Housing	Aluminium
Mount	Ceiling recessed mounting
General application	Hospitality
Operating temperature range (°C)	-20°C...+40°C
Performance ambient temperature Tq (°C)	25
ETIM Class	EC001744
E-number FI	4278491
Warranty	5 years

## Optical data

Useful luminous flux (Φuse)	600
Fixture luminous flux (lm)	600
Luminaire efficacy (lm/W)	85
Correlated colour temperature (k)	4000
Light colour	Cool White
CRI (Ra)	80
Colour Variation Initial (SDCM)	SDCM3
Beam Angle (°)	120
Distribution type	Symmetric
Glare control	< 28
Photobiological Risk Group	RG0

## Electrical data

Total power consumption (W)	7
Primary Supply/Product voltage - min (V)	220
Lamp power factor	0.9
Electrical protection	Class II
Control gear required	No
Control gear type	LED driver constant current
Dimming method	Mains: leading / trailing edge
Drive current (mA)	180
Inrush Current (A)	2.35
Inrush Duration (µs)	120
Energy Efficiency Class (A->G) of contained light source	E
Nominal Frequency (Hz)	50Hz
LED Flickering Rate	Ultra low (5% or less)
Max. products per 10A C Breaker	133
Max. products per 13A C Breaker	173
Max. products per 16A C Breaker	213
Max. products per 20A C Breaker	267
Max. products per 20A B Breaker	267
Connectable conductor cross section - Min (mm²)	0.75
Connectable conductor cross section - Max (mm²)	1.5

## Lifetime data

Lifespan L70 B50	78000
Lifespan L80 B20	43000
Lifespan L80 B10	42000
Lifespan L90 B10	23000

# START Downlight Flat 108 IP44 600LM 840 DIM

Item No: 0054119

**SYLVANIA**

## Physical data

Housing colour	RAL 9003 - Signal white
IP rating	IP44/20
IK rating	IK06
Diffuser finish	Opal
Diffuser material	PS Polystyrene
Reflector finish	Not Applicable
Nominal Product Height (mm)	21
Nominal Product Diameter (mm)	120
Built-in diameter (mm)	105
Weight (kg)	0.237

## Packaging

Product EAN number	5410288541198
Packaging single width (cm)	12.5
Packaging single depth (cm)	4.2
DUN14 (inner)	15410288541195
Packaging outer length / height (cm)	39.0

## Safety data

Glow Wire Test (°C)	650
Optimal operating condition (°C)	-20-40