

27 809 985 Product version up to 6/3/2020



- with volume control
- COMPACT RAIN, max. flow rate 15 l/min (at 3 bar)
- Function from: 5 l/min
- inherently safe from back flow
- with anti-scale system
- metal shower hose 1250mm with integrated anti-twist protection

**Technical data:**

- rosette for wall elbow 60 x 60mm
- rosette for shower holder 60 x 60mm
- 1/2" wall elbow
- 3/8" shower outlet

**Notes:**

	Chrome	27 809 985-00
	Brushed Platinum	27 809 985-06
	Platinum	27 809 985-08
	Dark Chrome	27 809 985-19
	Brushed Light Gold (PVD)	27 809 985-27
	Brushed Durabrass (23kt Gold)	27 809 985-28
	Brushed Gold (PVD)	27 809 985-37
	Brushed Dark Brass (PVD)	27 809 985-39
	Brushed Bronze (PVD)	27 809 985-42
	Brushed Dark Bronze (PVD)	27 809 985-43
	Brushed Champagne (22kt Gold)	27 809 985-46
	Champagne (22kt Gold)	27 809 985-47
	Brushed Chrome	27 809 985-93
	Brushed Dark Platinum	27 809 985-99

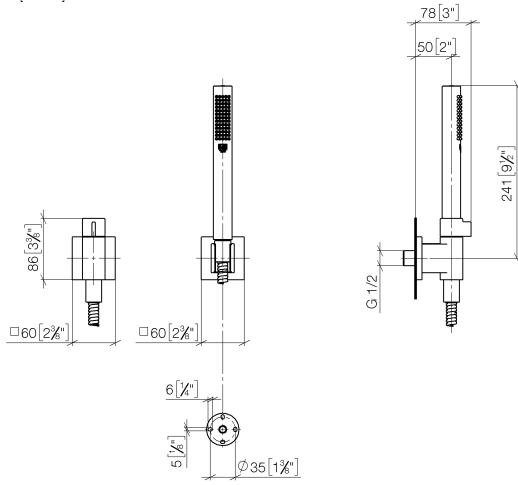
Recommended miscellaneous



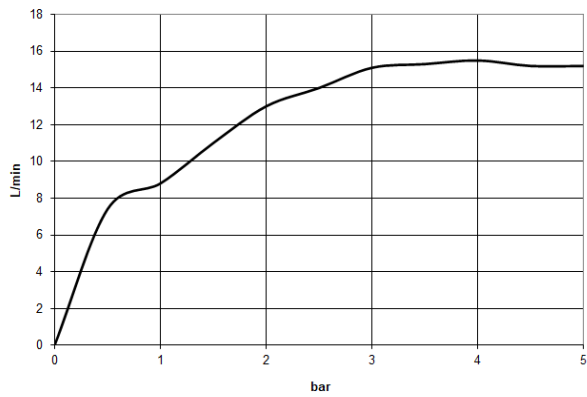
- Concealed wall elbow -** 35 085 970 90
- min. recess depth 90 mm
  - max. recess depth 163 mm

27 809 985 Product version up to 6/3/2020

mm [inches]



Flow rate chart



Codes & Standards

DIN 4109

EN 1717

ISO 3822

Scottish Water  
Byelaws

UK Water Supply  
Regulations

Ü-Zeichen



## Hand shower set with individual rosettes with volume control - Chrome

SERIES SPECIFIC

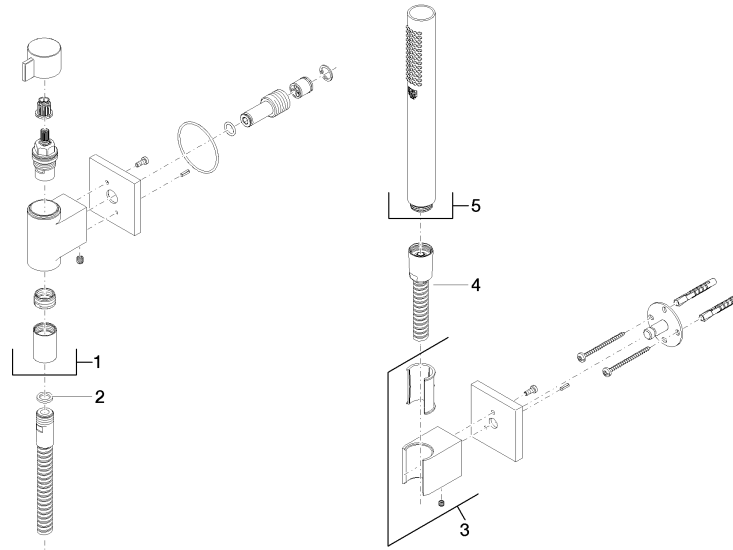
27 809 985 Product version up to 6/3/2020

### Certificates and sustainability

WRAS\_2207

Belgaqua\_21-024-2 LGA\_29

Belgaqua\_25-344-2



### Spare parts list

No.	Item Number	Name	Quantity used	Delivery time
3	28 050 980-00	Wall bracket - Chrome	1.00	20
1	28 451 985-00	SYMETRICS Wall elbow with volume control - Chrome	1.00	-
Spare part can no longer be ordered, please order the replacement item				
5	28 019 979-00	Hand shower - Chrome	1.00	-
Spare part can no longer be ordered, please order the replacement item				
2	90 14 20 026 00 90	Washer 14 x 8 x 2 mm Centellen WS 3820 -	1.00	14
4	90 30 02 072 00-00	Metal shower hose 1/2" x 3/8" x 1250 mm - Chrome	1.00	20