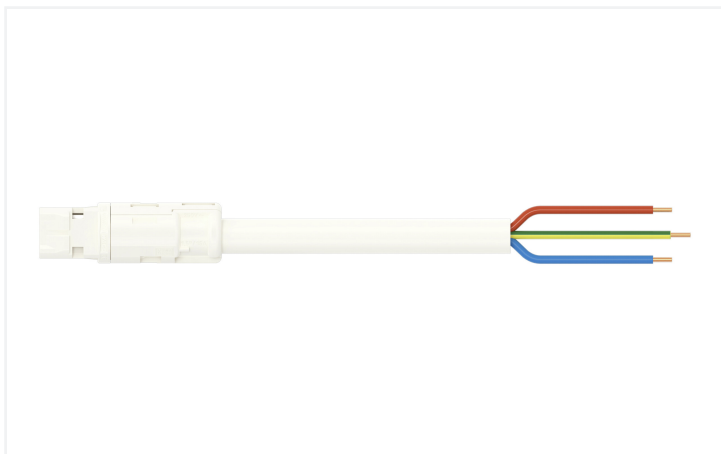


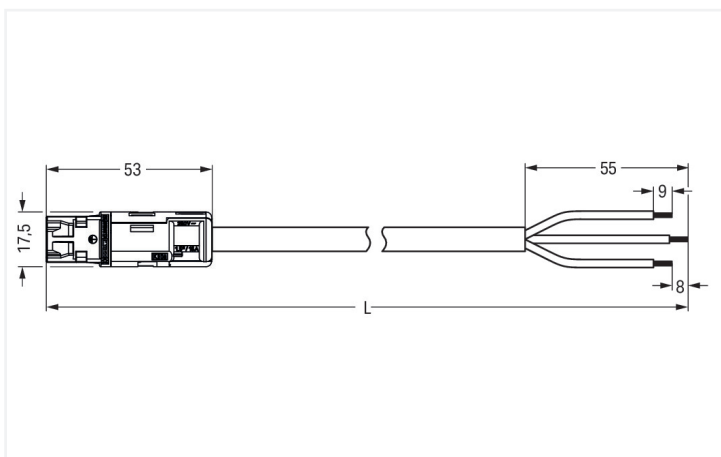
**Data Sheet | Item Number: 774-9993/206-202**

pre-assembled connecting cable; Eca; Plug/open-ended; 3-pole; Cod. A; H05VV-F  
3G 1.5 mm<sup>2</sup>; 2 m; 1,50 mm<sup>2</sup>; white

<https://www.wago.com/774-9993/206-202>



Color: ■ white



Dimensions in mm

Cable assembly *WINSTA*® RD rated current 16 A

The *WINSTA*® RD cable assembly 3-pole is the pluggable solution for your application in control cabinets, for lighting connections or on PCBs. The pluggable installation connectors with spring pressure connection technology work without screw connections. They allow resource-efficient, error-free installation in numerous applications. The coding options reduce installation errors, allowing fast, maintenance-free wiring of all components. The plug-

gable installation connector is protected against ingress by solid objects in accordance with protection type IP20 (When mated: IP2xC (These compact connectors are not designed for use in open, easily accessible areas!)). The WINSTA® RD features a round design that is perfect for use in conduits with an inner diameter of 20 mm, for example in construction of prefabricated houses. Of course, the safety of buildings must always be ensured, even after the electrical installation has been performed. The required safety requirements in connection with EU CPR are fully satisfied by this product through fire class E.

Fast, error-free assembly thanks to cable assemblies from WAGO

The cable assembly is provided with a plug and a free end. WINSTA® is the pluggable connection system that is perfectly tailored to the strict requirements of electrical installation. It allows fast, secure and, above all, error-free installation of components and cables. Now you can also lower installation costs without compromising quality and safety: with protection type IP20 reduces the need for servicing and prevents unnecessary downtime.

- protection against mismatching eliminates errors
- saves time, since no wiring is required at the construction site
- with A coding for use in a large number of general mains applications
- custom-engineered solutions
- convenient installation and commissioning

## Notes

Note Cables with a different fire class can be found in the eShop.

## Electrical data

| Ratings per                     | IEC/EN 60664-1 |     |    | General information        |  |
|---------------------------------|----------------|-----|----|----------------------------|--|
| Overvoltage category            | III            | III | II | Note on contact resistance | approx. 1 mΩ of contact resistance<br>approx. 0.25 mΩ contact transition plug/<br>socket |
| Pollution degree                | 3              | 2   | 2  |                            |  |
| Nominal voltage                 | 250 V          | -   | -  |                            |  |
| Rated impulse withstand voltage | 4 kV           | -   | -  |                            |  |
| Rated current                   | 16 A           | -   | -  |                            |  |

## Connection Data

|                            |                           | Connection 1                    |                     |
|----------------------------|---------------------------|---------------------------------|---------------------|
| Total number of potentials | 3                         | Strip length                    | 9 mm / 0.35 inches  |
| PE function                | Preceding PE contact      | Pole number                     | 3                   |
| Conductor preparation      | ultrasonically tip-bonded | Wire cross-section              | 1.5 mm <sup>2</sup> |
|                            |                           | Strip length (outer insulation) | 55 mm               |
|                            |                           | Connection type                 | Plug - free end     |

## Physical data

|              |                        |
|--------------|------------------------|
| Width        | 17.5 mm / 0.689 inches |
| Height       | 17.5 mm / 0.689 inches |
| Total length | 2 m                    |

## Mechanical data

|   |  |
|---|--|
| Use                                     | General mains applications                               |
| Coding                                  | A  |
| Variable coding                         | No   |
| Marking                                 | L ⊕ N  |
| Mating force of a plug-in connection    | Approx. 30 ... 70 N (depending on pole number)           |
| Retention force of a plug-in connection | when locked: > 80N                                       |
| Unmating force of a plug-in connection  | Unlocked: approx. 30 ... 70 N (depending on pole number) |
| Number of mating cycles                 | 200, without resistive load                              |
| Connection type                         | Plug - free end  |
| Type of pre-assembled cable             | Connecting cable   |

### Mechanical data

|                 |   |
|-----------------|---|
| Cable type      | H05VV-F 3G1.5   |
| Protection type | IP20; When mated: IP2xC (These compact connectors are not designed for use in open, easily accessible areas!) |

### Plug-in connection

|                               |  |
|-------------------------------|--|
| Mismating protection          | Yes  |
| Note on mismating protection  | All WINSTA® components are 100% protected against mismating when:<br>a.) plugging different numbers of poles<br>b.) plugging while incorrectly rotated<br>c.) plugging while laterally staggered |
| Locking of plug-in connection | Locking lever  |

### Material data

|                                    |  |
|------------------------------------|--|
| Note (material data)               | <a href="#">Information on material specifications can be found here</a> |
| Color                              | white  |
| Insulation material (main housing) | Polyamide (PA66)   |
| Fire class per EN 50575            | E <sub>ca</sub>  |
| Contact material                   | Copper or copper alloy; surface-treated                                  |
| Contact Plating                    | Tin  |
| Fire load                          | 59.474 MJ  |
| Connector color                    | white  |
| Strain relief color                | white  |
| Sheathed cable color               | white  |
| Printing color of sheathed cable   | black  |
| Halogen-free                       | No   |
| Silicon-free                       | Yes  |
| Sheath material                    | PVC  |
| Rubber cable                       | No   |
| Weight                             | 203.3 g  |
| Copper weight of the raw cable     | 0.043 kg/m   |

### Environmental requirements

|  |   |
|--|---|
| Processing temperature                   | -5 ... +40 °C   |
| Continuous operating temperature         | -35 ... +85 °C  |
| Note on continuous operating temperature | Cable for temperatures ≤ 70 °C (including halogen-free)<br>Insulating parts for temperatures ≤ 105 °C |

### Commercial data

|                       |               |
|-----------------------|---------------|
| PU (SPU)              | 1 pcs         |
| Packaging type        | unpacked      |
| Country of origin     | DE            |
| GTIN                  | 4045454323417 |
| Customs tariff number | 85444290900   |

**Product Classification**

|             |                      |
|-------------|----------------------|
| UNSPSC      | 26121629             |
| eCl@ss 10.0 | 27-44-06-04          |
| eCl@ss 9.0  | 27-44-06-04          |
| ETIM 9.0    | EC002587             |
| ETIM 10.0   | EC002587             |
| ECCN        | NO US CLASSIFICATION |

**Environmental Product Compliance**

|                        |                         |
|------------------------|-------------------------|
| RoHS Compliance Status | Compliant, No Exemption |
|------------------------|-------------------------|

**Approvals / Certificates**

**General approvals** **Declarations of conformity and manufacturer's declarations**



| Approval                              | Standard | Certificate Name |
|---------------------------------------|----------|------------------|
| CCA<br>DEKRA Certification B.V.       | EN 61535 | NTR NL-7969      |
| CCA<br>DEKRA Certification B.V.       | EN 61984 | NTR NL-7848      |
| KEMA/KEUR<br>DEKRA Certification B.V. | EN 61535 | 71-123229        |
| KEMA/KEUR<br>DEKRA Certification B.V. | EN 61984 | 71-114944        |

| Approval  | Standard | Certificate Name |
|---|----------|------------------|
| EU-Declaration of Confor-<br>mity<br>WAGO GmbH & Co. KG | -        | -                |
| UK-Declaration of Confor-<br>mity<br>WAGO GmbH & Co. KG | -        | -                |

**Downloads**

**Environmental Product Compliance**

| Compliance Search                                    |                   |
|--|-------------------|
| Environmental Product Compliance<br>774-9993/206-202 | <a href="#">↓</a> |

**Documentation**

| Bid Text         |            |                 |                   |
|------------------|------------|-----------------|-------------------|
| 774-9993/206-202 | 19.02.2019 | xml<br>2.97 KB  | <a href="#">↓</a> |
| 774-9993/206-202 | 08.01.2015 | doc<br>24.00 KB | <a href="#">↓</a> |

CAD/CAE-Data

CAD data

2D/3D Models  
774-9993/206-202



CAE data

EPLAN Data Portal  
774-9993/206-202



WSCAD Universe  
774-9993/206-202



ZUKEN Portal  
774-9993/206-202

