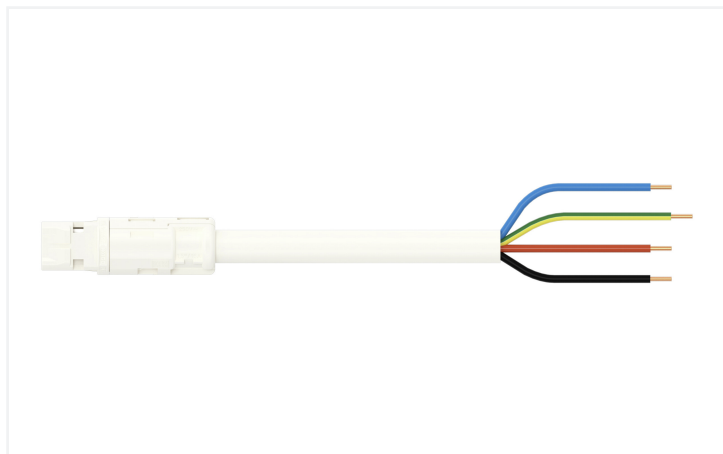


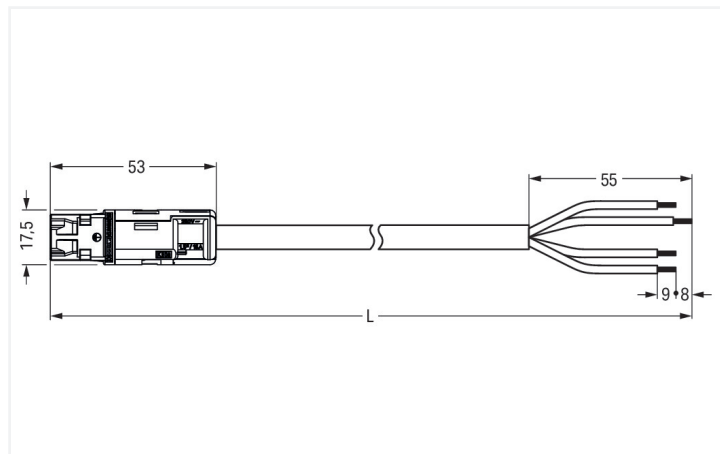
Data Sheet | Item Number: 774-9994/206-302

pre-assembled connecting cable; Eca; Plug/open-ended; 4-pole; Cod. A; H05VV-F
4G 1.5 mm²; 3 m; 1,50 mm²; white

<https://www.wago.com/774-9994/206-302>



Color: ■ white



Dimensions in mm

Cable assembly WINSTA® RD rated current 16 A

Use effective pluggable connections instead of laborious screw connections: With the WINSTA® RD cable assembly A coding. Our pluggable installation connectors with spring pressure connection technology function without screw connections. They allow flexible, error-free installation in numerous applications. The coding options reduce installation errors, allowing fast, secure wiring of all components. The pluggable installation connector is protected in accordance with protection type IP20 (When mated: IP2xC (These compact connectors are not designed for use in open, easily accessible areas!)). That results in the fact that users' fingers will never come into contact with electrified contact elements. The WINSTA® RD features a round design that is perfect for use in conduits with an inner diameter of 20 mm, such as in construction of prefabricated houses. According to the European CPR, the fire class of the cables used for construction is critical for building safety, too. For buildings with average safety requirements, cable assemblies with fire class E are suitable.

Pluggable connections instead of screw connections – cable assemblies from WAGO

The cable is pre-assembled with a plug and a free end. The WINSTA® Pluggable Connection System allows pluggable electrical installation. This saves time, lowers costs, and reduces the need for servicing. Choose durability and quality – with marking from WAGO makes the electrical installation of electrical components visibly easier.

- protection against mismatching eliminates errors
- products perfectly tailored to your requirements guarantee safe use
- with A coding for use in many general mains applications
- custom-engineered solutions
- fast, secure installation

Notes

Note Cables with a different fire class can be found in the eShop.

Electrical data

| Ratings per | IEC/EN 60664-1 | | |
|---------------------------------|----------------|-----|----|
| Overvoltage category | III | III | II |
| Pollution degree | 3 | 2 | 2 |
| Nominal voltage | 250 V | - | - |
| Rated impulse withstand voltage | 4 kV | - | - |
| Rated current | 16 A | - | - |

General information

Note on contact resistance approx. 1 mΩ of contact resistance
approx. 0.25 mΩ contact transition plug/
socket

Connection Data

| | | | |
|----------------------------|---------------------------|---------------------------------|---------------------|
| Total number of potentials | 4 | Connection 1 | |
| Conductor preparation | ultrasonically tip-bonded | Strip length | 9 mm / 0.35 inches |
| | | Pole number | 4 |
| | | Wire cross-section | 1.5 mm ² |
| | | Strip length (outer insulation) | 55 mm |
| | | Connection type | Plug - free end |

Physical data

| | |
|--------------|------------------------|
| Width | 17.5 mm / 0.689 inches |
| Height | 17.5 mm / 0.689 inches |
| Total length | 3 m |

Mechanical data

| | |
|---|---|
| Use | General mains applications |
| Coding | A |
| Variable coding | No |
| Marking | N ⊕ 2 1 |
| Mating force of a plug-in connection | Approx. 30 ... 70 N (depending on pole number) |
| Retention force of a plug-in connection | when locked: > 80N |
| Unmating force of a plug-in connection | Unlocked: approx. 30 ... 70 N (depending on pole number) |
| Number of mating cycles | 200, without resistive load |
| Connection type | Plug - free end |
| Type of pre-assembled cable | Connecting cable |
| Cable type | H05VV-F 4G1.5 |
| Protection type | IP20; When mated: IP2xC (These compact connectors are not designed for use in open, easily accessible areas!) |

Plug-in connection

| | |
|-------------------------------|--|
| Mismating protection | Yes |
| Note on mismating protection | All <i>WINSTA</i> ® components are 100% protected against mismating when: a.) plugging different numbers of poles b.) plugging while incorrectly rotated c.) plugging while laterally staggered |
| Locking of plug-in connection | Locking lever |

Material data

| | |
|------------------------------------|--|
| Note (material data) | Information on material specifications can be found here |
| Color | white |
| Insulation material (main housing) | Polyamide (PA66) |
| Fire class per EN 50575 | E _{ca} |
| Contact material | Copper or copper alloy; surface-treated |
| Contact Plating | Tin |
| Fire load | 89.441 MJ |
| Connector color | white |
| Strain relief color | white |
| Sheathed cable color | white |
| Printing color of sheathed cable | black |
| Halogen-free | No |
| Silicon-free | Yes |
| Sheath material | PVC |
| Rubber cable | No |
| Weight | 393.7 g |

Material data

| | |
|--------------------------------|------------|
| Copper weight of the raw cable | 0.058 kg/m |
|--------------------------------|------------|

Environmental requirements

| | |
|--|---|
| Processing temperature | -5 ... +40 °C |
| Continuous operating temperature | -35 ... +85 °C |
| Note on continuous operating temperature | Cable for temperatures ≤ 70 °C (including halogen-free) Insulating parts for temperatures ≤ 105 °C |

Commercial data

| | |
|-----------------------|---------------|
| PU (SPU) | 1 pcs |
| Packaging type | unpacked |
| Country of origin | DE |
| GTIN | 4045454346300 |
| Customs tariff number | 85444290900 |

Product Classification

| | |
|-------------|----------------------|
| UNSPSC | 26121629 |
| eCl@ss 10.0 | 27-44-06-04 |
| eCl@ss 9.0 | 27-44-06-04 |
| ETIM 9.0 | EC002587 |
| ETIM 10.0 | EC002587 |
| ECCN | NO US CLASSIFICATION |

Environmental Product Compliance

| | |
|------------------------|-------------------------|
| RoHS Compliance Status | Compliant, No Exemption |
|------------------------|-------------------------|

Approvals / Certificates

General approvals



| Approval | Standard | Certificate Name |
|---------------------------------------|----------|------------------|
| CCA DEKRA Certification B.V. | EN 61535 | NTR NL-7969 |
| CCA DEKRA Certification B.V. | EN 61984 | NTR NL-7848 |
| KEMA/KEUR DEKRA Certification B.V. | EN 61535 | 71-123229 |
| KEMA/KEUR DEKRA Certification B.V. | EN 61984 | 71-114944 |
| KEMA/KEUR DEKRA Certification B.V. | - | 2118353.02 |

Declarations of conformity and manufacturer's declarations

| Approval | Standard | Certificate Name |
|---|----------|------------------|
| EU-Declaration of Confor- mity WAGO GmbH & Co. KG | - | - |
| UK-Declaration of Confor- mity WAGO GmbH & Co. KG | - | - |

Downloads

Environmental Product Compliance

Compliance Search

Environmental Product
Compliance
774-9994/206-302



Documentation

Bid Text

774-9994/206-302

19.02.2019

xml
2.97 KB



774-9994/206-302

08.01.2015

doc
24.00 KB



CAD/CAE-Data

CAE data

EPLAN Data Portal
774-9994/206-302



WSCAD Universe
774-9994/206-302

