

ToLEDo Performer H230 15500LM 840 E40 SL

Item No: 0028378

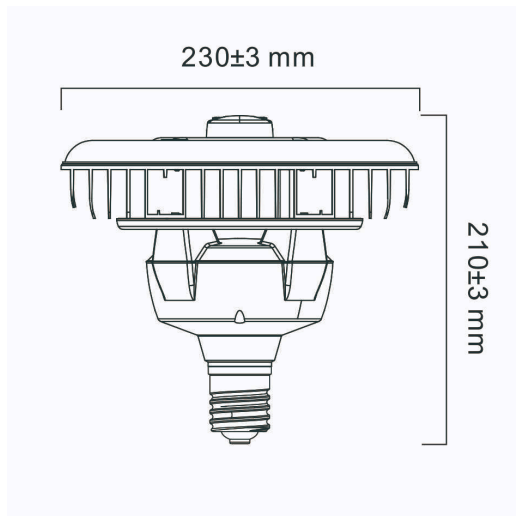
SYLVANIA



Direct retrofit replacement for high-pressure mercury vapor lamps (HPMV) 50,000 hours average rated lifetime Up to 71% energy saving compared to the standard high-pressure mercury vapor lamps Detachable 3.5mm jack plug microwave sensor allow to adjust hold-time and standby brightness level Mercury-free solution Lower maintenance cost High lumen efficacy Dual operating mode – compatible with HPMV magnetic ballast and also, suitable for AC direct mains 220-240V operation Up and down light distribution High surge voltage protection: 4kV Suitable for both open and enclosed luminaires Wide light distribution High switching cycles – 200,000X High colour rendering – CRI80 Minimum and maximum operating temperature: -30°C to 50°C

Technical Assets

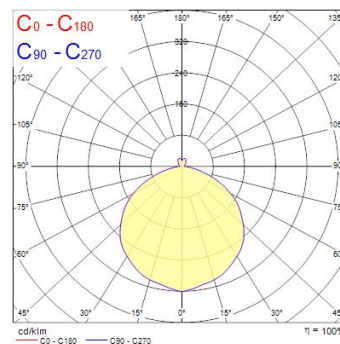
Dimensions (mm)



Photometrics

Distance [m]	Cone diameter [m]	E _{0%} [lx]	E _{1%} [lx]	E _{5%} [lx]	E _{10%} [lx]
0.5	1.58	19892	1907	377	187
1.0	3.16	4923	463	94	48
1.5	4.75	2138	203	41	21
2.0	6.33	1231	117	23	12
2.5	7.91	786	75	15	8
3.0	9.49	547	52	10	5

Distance [m] Cone diameter [m] Illuminance [lx]
 — C0 - C180 (Half beam angle: 115.4°)



ToLEDo Performer H230 15500LM 840 E40 SL

Item No: 0028378



General data

Product name	ToLEDo Performer H230 15500LM 840 E40 SL
Technology	LED
Watt (Rated) (W)	115
Cap/Base	E40
Fixture rating	Open
General application	Logistics & Industry
Operating temperature range (°C)	-20°C...+50°C
Performance ambient temperature Tq (°C)	25
ETIM Class	EC001959
Warranty	5 years

Optical data

Useful luminous flux (Φuse)	15500
Luminous flux (lm)	15500
Luminous flux (Rated) (lm)	15500
Correlated colour temperature (k)	4000
Light colour	Cool White
CRI (Ra)	80
Colour Variation Initial (SDCM)	SDCM6
Photobiological Risk Group	RG1
Lumen maintenance at end of nominal life (%)	70

Electrical data

Power consumption (W)	115
Wattage (W)	115
Starting time (max) (s)	0.5
Warm-up time to 60% of full light (max) (s)	0.5
Primary Supply/Product voltage - min (V)	220
Primary Supply/Product voltage - max (V)	240
Lamp power factor	1
Control gear required	No
No. Of switching cycles before premature failures	>200000
Dimmable	No
Inrush Current (A)	71.2
Inrush Duration (µs)	2
Lamp Energy Label (class)	E
Nominal Frequency (Hz)	50/60Hz
Max. products per 16A C Breaker	12

Lifetime data

Lifespan L70 B50	50000
Average life (Nominal) (h)	50000
Average life (Rated) (h)	50000

Physical data

Nominal Product Length (mm)	210
Nominal Product Diameter (mm)	230
Weight (kg)	1.766

ToLEDo Performer H230 15500LM 840 E40 SL

Item No: 0028378



Packaging

Product EAN number	5410288283784
Packaging single length / height (cm)	25.0
Packaging single width (cm)	25.0
Packaging single depth (cm)	23.5
DUN14 (inner)	15410288283781
Units per outer package	4
Packaging outer length / height (cm)	53.6
Packaging outer width (cm)	52.5
Packaging outer depth (cm)	26.3

Safety data

Optimal operating condition (°C)	-20-50
Breakage cleaning instructions	Not applicable
Special purpose lamp	No
Dry applications use only	No
Suitable for household illumination	Yes
Safety message	Not Suitable for totally enclosed fixtures