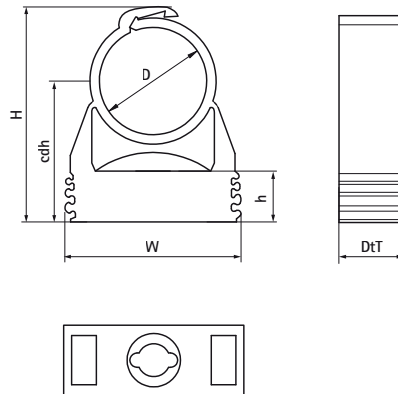


Walraven starQuick® Clamp (Copper Colour)

(C0512)

for securing conduits and pipes to walls, floors, or ceilings



Features & benefits

- one-part clamp
- clamp closes by applying pressure to the pipe
- for outdoor use and installations in swimming pool environments, chemical factories, zinc factories, etc.
- due to a patented profile it is possible to tack several clamps to each other
- material: modified PA6 (polyamide), copper colour
- resistant to UV, ageing, oil and petrol
- no corrosion, recyclable, halogen free
- temperature resistance from approx. -40 °C to approx. +90 °C (constant); short to approx. +130 °C



Product Number	Fixing Hole	Total Height	Total Width	Total Depth	Clamp Center Distance Height	Height	Connection Thread	Maximum Allowed Load Faz	Breaking Load Fbz
Reference letter	FH	H	W	DtT	cdh	h	G	F _{a,z}	F _{b,z}
Unit description	mm	mm	mm	mm	mm	mm		N	N
0855812	8	36	29	17	25	12.1	None	180	550
0855815	8	36	29	17	25	10.6	None	200	600
0855818	8	40	29	17	27	10.6	None	230	700
0855828	8	50	40	18	32	10.6	None	280	850
0855831	8	55	40	17	36	10.6	None	300	900