

27 803 660 Product version from 8/1/2018 to 6/3/2020



- COMPACT RAIN, max. flow rate 15 l/min (at 3 bar)
- three settings: normal flow, soft flow, massage flow
- with anti-scale system
- 3/8" shower outlet
- metal shower hose 1250mm with integrated anti-twist protection
- rosette Ø 60 mm
- 1/2" connection
- Function from: 7 l/min

Intrinsic protection against back flow.

Recommended miscellaneous



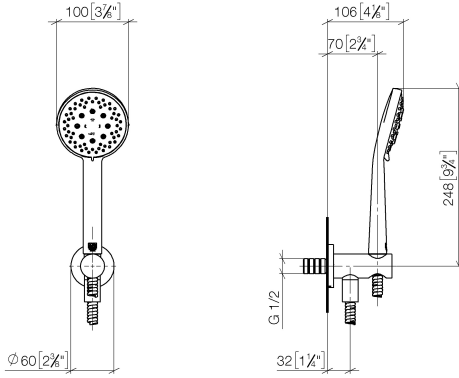
Concealed wall elbow -

- min. recess depth 90 mm
- max. recess depth 163 mm

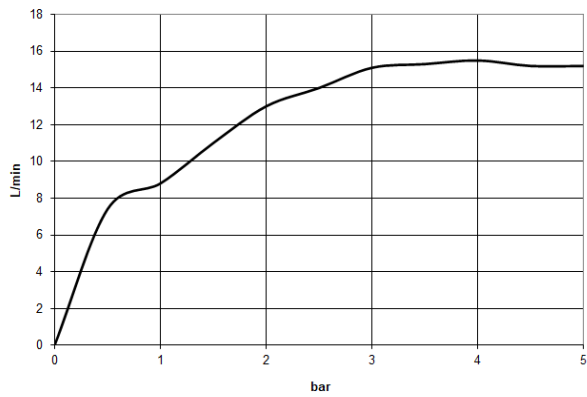
35 085 970 90

27 803 660 Product version from 8/1/2018 to 6/3/2020

mm [inches]



Flow rate chart



Codes & Standards

DIN 4109

EN 1717

ISO 3822

Scottish Water
Byelaws

UK Water Supply
Regulations

Ü-Zeichen



Hand shower set with integrated shower holder - Matte Black

SERIES SPECIFIC

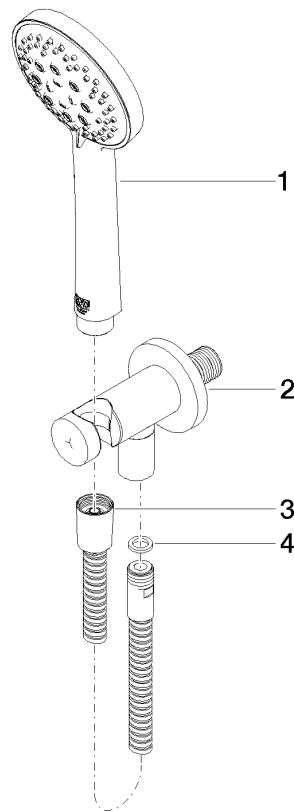
27 803 660 Product version from 8/1/2018 to 6/3/2020

Certificates and sustainability

LGA_29

Belgaqua_24-007-2 LGA_29

WRAS_250402



Spare parts list

No.	Item Number	Name	Quantity used	Delivery time
2	28 490 660-33	Wall elbow with integrated shower holder - Matte Black	1.00	20
4	90 14 20 026 00 90	Washer 14 x 8 x 2 mm Centellen WS 3820 -	1.00	14
3	90 30 02 072 00-33	Metal shower hose 1/2" x 3/8" x 1250 mm - Matte Black	1.00	40
1	28 014 979-33	Hand shower 7.6 l/min - Matte Black	1.00	-
	Spare part can no longer be ordered, please order the replacement item			
	28018979-33	Hand shower 100 mm - Matte Black		