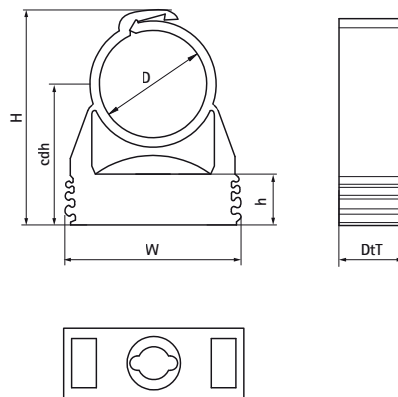


Walraven starQuick® Clamp (Copper Colour)

(C0512)

for securing conduits and pipes to walls, floors, or ceilings



Features & benefits

- one-part clamp
- clamp closes by applying pressure to the pipe
- for outdoor use and installations in swimming pool environments, chemical factories, zinc factories, etc.
- due to a patented profile it is possible to tack several clamps to each other
- material: modified PA6 (polyamide), copper colour
- resistant to UV, ageing, oil and petrol
- no corrosion, recyclable, halogen free
- temperature resistance from approx. -40 °C to approx. +90 °C (constant); short to approx. +130 °C



Product Number	Total Height	Total Width	Total Depth	Clamp Center Distance Height	Height	Connection Thread	Maximum Allowed Load Faz	Breaking Load Fbz
Reference letter	H	W	DtT	cdh	h	G	Fa,z	Fb,z
Unit description	mm	mm	mm	mm	mm		N	N
0855812	36	29	17	25	12.1	None	180	550
0855815	36	29	17	25	10.6	None	200	600
0855818	40	29	17	27	10.6	None	230	700
0855828	50	40	18	32	10.6	None	280	850
0855831	55	40	17	36	10.6	None	300	900