

33 800 888 Product version from 5/31/2010 to 10/27/2020



- 201mm projection
- pivotable spout 360°
- air-enriched flow
- height of mixer 325 mm
- height up to aerator 180 mm
- hole diameter 35 mm
- max. flow 7 l/min at 3 bar flow pressure
- lead-free
- WRAS
- This product can help a building meet the requirements of Green Building Rating Systems, e.g. LEED®, BREEAM®, DGNB

	Brushed Dark Platinum	33 800 888-99
	Chrome	33 800 888-00
	Brushed Platinum	33 800 888-06
	Platinum	33 800 888-08
	Durabronze (23kt Gold)	33 800 888-09
	Dark Chrome	33 800 888-19
	Brushed Durabronze (23kt Gold)	33 800 888-28
	Matte Black	33 800 888-33
	Brushed Dark Brass (PVD)	33 800 888-39
	Brushed Bronze (PVD)	33 800 888-42
	Brushed Dark Bronze (PVD)	33 800 888-43
	Brushed Champagne (22kt Gold)	33 800 888-46
	Champagne (22kt Gold)	33 800 888-47
	Brushed Chrome	33 800 888-93

Recommended miscellaneous

Strainer waste with control handle - Brushed Dark Platinum 10 710 970-99

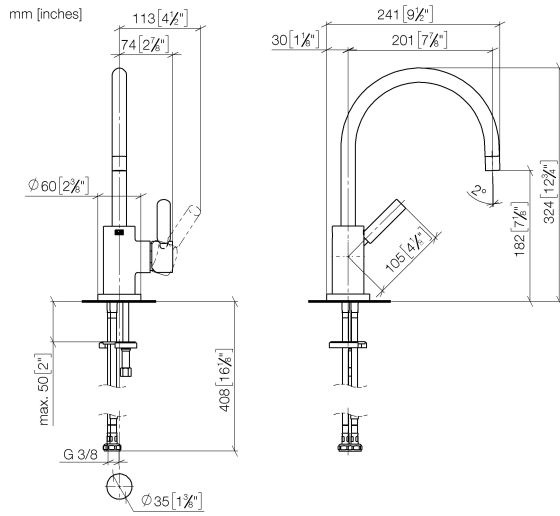


Recommended miscellaneous

Dispenser with rosette - Brushed Dark Platinum 82 444 970-99



33 800 888 Product version from 5/31/2010 to 10/27/2020



Flow rate chart



Codes & Standards

DIN 4109

EN 817

Executive Order
no. 1007

ISO 3822

Scottish Water
Byelaws

UK Water Supply
Regulations

Ü-Zeichen

VA-Zeichen



TARA Single-lever mixer - Brushed Dark Platinum

TARA

33 800 888 Product version from 5/31/2010 to 10/27/2020

Certificates and sustainability

WRAS_2311

GDV_0400

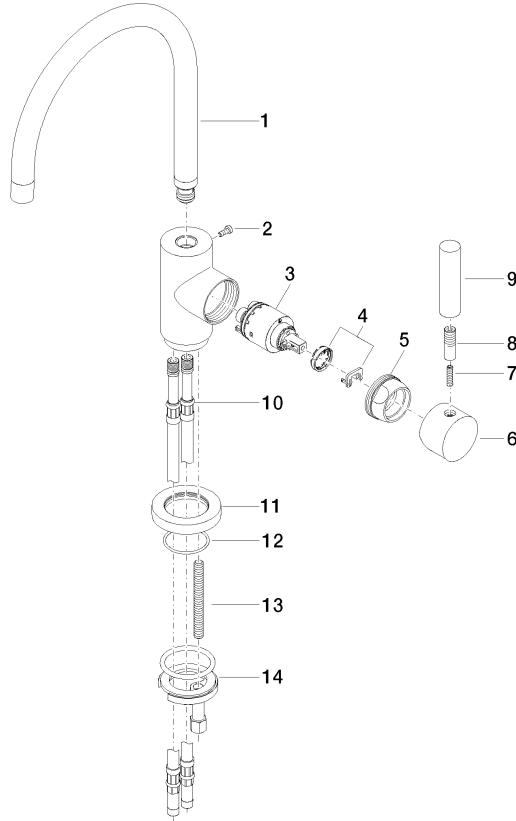
ETA_18

LGA_8

EPD-DOR-20230287
-IBA1-EN
Environmental.prod
uct-declarat

33 800 888 Product version from 5/31/2010 to 10/27/2020

Parts for other finishes can be found here: [Chrome](#)



Spare parts list

No.	Item Number	Name	Quantity used	Delivery time
	5 09 24 04 107-99	Connection Ø 40 x 20 mm - Brushed Dark Platinum	1.00	40
	8 90 24 04 048 00-99	Sleeve Nipple - Brushed Dark Platinum	1.00	40
	9 11 170 880-99	Lever - Brushed Dark Platinum	1.00	40
	10 04 30 04 064 00 90	High pressure hose short shaft M10x1 x 420 mm -	2.00	-
	Spare part can no longer be ordered, please order the replacement item			
	0430041040090	High pressure hose M10x1 x 3/8" x 420 mm -		
	11 09 28 10 055-99	Rosette Ø 60 x Ø 38,2 x 10 mm - Brushed Dark Platinum	1.00	40
	2 09 30 30 054 90	Mounting Cylinder head screw with hexagon socket with low profile M4 x 10 mm -	1.00	14
	6 90 20 88 040 00-99	Handle Lower part of lever 98 x 64 x 64 mm - Brushed Dark Platinum	1.00	40
	4 90 28 10 148 00 90	Temperature limitation ring -	1.00	14
	14 04 30 11 038 00 90	Mounting with O-ring Ø40 x 4mm Ø 52 x 1,5 mm -	1.00	14
	13 09 31 11 011 90	Mounting Threaded bolt M8 x 80 mm -	1.00	14
	3 90 15 05 065 00 90	Cartridge -	1.00	14
	1 90 28 22 048 02-99	Spout 225 x 244 x 25 mm, 7 l/min. - Brushed Dark Platinum	1.00	40
	7 09 31 11 010 90	Mounting Threaded pin with hexagon socket self-locking M5 x 20 mm -	1.00	14
	12 09 14 10 034 90	O-Ring EPDM 70 38,0 x 2,0 mm -	1.00	14