

Product data

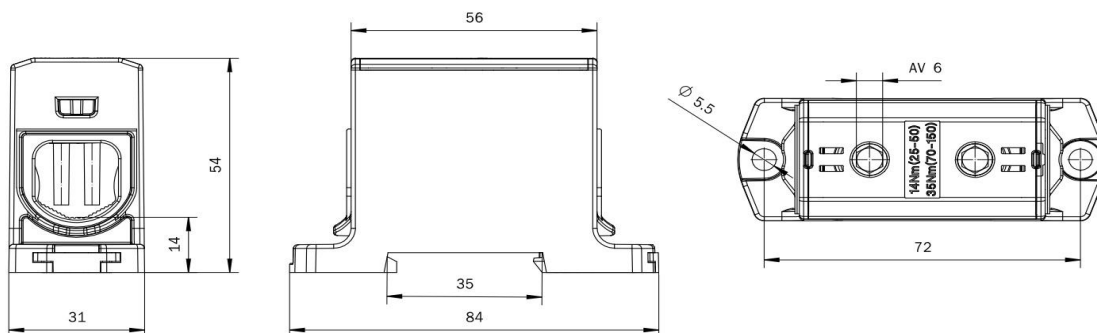
| | | | | | |
|--------------|---|----------|----------------|------------|----------------------|
| Product code | VC05-0475 | STK-code | 1914338 | EAN-code | 6430051860102 |
| Product name | OTL-connector 1xAl/Cu 25-150mm ² (Red) | | | ETIM class | EC000897 |
| Wires | 1xAl/Cu 25-150 mm ² | | | | |

Technical data

| | | | |
|-------------------------------|--|------------|----|
| Nominal current (IEC) | Cu | 320 | A |
| | Al | 290 | A |
| Nominal voltage (IEC) | 1000 V AC / 1500 V DC | | |
| Max. Current (US) | Cu | 285 | A |
| | Al | 240 | A |
| Max. Voltage (US) | 1000 V | | |
| Number of poles | 1 pcs | | |
| Max. Cross section | 150 mm ² | | |
| Tightening torque | - | | |
| | 25-50 mm ² (1/0-2 AWG) | 14 | Nm |
| | 70-150 mm ² (350 kcmil-2/0 AWG) | 35 | Nm |
| Min. installation temperature | +5 °C | | |
| Operating temperature | -25...+80 °C | | |
| Weight | 100 g | | |
| IP-protection | IP20 | | |
| Standards | EN 61238-1:2003; EN 60947-7-(1-2):2009; UL1059 & CSA C22.2 No. 158-10 | | |
| Color / Material | Red RAL 3020/ PA66-V0 | | |
| Mounting / Connection | DIN-rail and screw (M5) mounting | | |


Description

OTL-connectors are designed for connecting and branching aluminium and copper conductors. The body is made of tin plated aluminium. Housing is made of UL94 V0 class polyamide. Made in Finland.

Drawing

Package

| | | | | | |
|-------------|------------|---------------|------------|-------------|-------------|
| Package | Box | Pcs / Package | 24 | Weight [kg] | 2,50 |
| Length [mm] | 205 | Width [mm] | 180 | Height [mm] | 135 |

Ouneva Oy

Teollisuustie 21
 FI-82730 Tuupovaara
 Finland

www.ounevagroup.fi
www.ounevaproducts.fi