



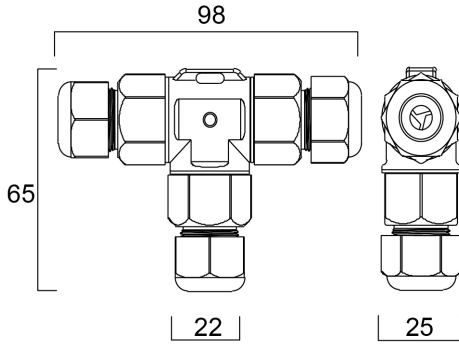
Features

- 3 pole IP68 rated T shaped connector with M18 cable glands.

Product Overview

Product name	IP68 T CONNECTOR 3P
Technology	Non - Electrical Device
General application	Hospitality, Museums & Galleries, Office, Residential & Consumer
ETIM Class	EC002556
E-number FI	4579517
Housing colour	Black
IP rating	IP68
Product EAN number	5410288490816
Warranty	5 years

Technical drawings



Data table

GENERAL DATA

Product name	IP68 T CONNECTOR 3P
Technology	Non - Electrical Device
Type of accessory	Connector
General application	Hospitality, Museums & Galleries, Office, Residential & Consumer
Operating temperature range (°C)	-40°C...+85°C
ETIM Class	EC002556
E-number FI	4579517
Warranty	5 years

ELECTRICAL DATA

Control gear required	No
-----------------------	----

PHYSICAL DATA

Housing colour	Black
----------------	-------

IP68 T CONNECTOR 3P 0049081

IP rating	IP68
Weight (kg)	0.058

PACKAGING

Product EAN number	5410288490816
Packaging single length / height (cm)	9.9
Packaging single width (cm)	6.6
Packaging single depth (cm)	2.5
DUN14 (inner)	15410288490813
Units per outer package	100
Packaging outer length / height (cm)	41.0
Packaging outer width (cm)	35.0
Packaging outer depth (cm)	17.5

SAFETY DATA

Optimal operating condition (°C)	-40-85
Special purpose lamp	No
Dry applications use only	No
Suitable for household illumination	No