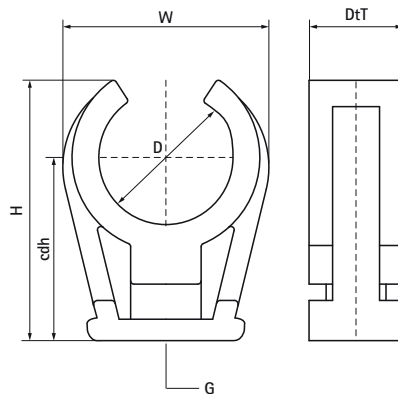


Walraven Push-fit Saddle - Single (White)

(C1025)

for securing conduits and pipes to walls, floors, or ceilings



Features & benefits

- one-part saddle
- connection thread M6 made of brass
- material: PP (polypropylene), white (according to RAL 9016)
- fire class B2
- no corrosion, recyclable, halogen free, resistant to UV and ageing
- temperature resistance from approx. -30 °C to approx. +90 °C (constant); short to approx. +110 °C

Product Number	Total Height	Total Width	Total Depth	Clamp Center Distance Height	Connection Thread
Reference letter	H	W	DtT	cdh	G
Unit description	mm	mm	mm	mm	
0853008	18	14	17	13	M6
0853010	21	17	17	16	M6
0853012	21	20	17	17	M6
0853015	25	24	17	18	M6
0853018	31	27	17	23	M6
0853022	36	31	17	26	M6
0853028	46	39	17	32	M6
0853035	51	46	17	33	M6
0853042	53	54	17	39	M6
0853025	38	35	17	27	M6
0853032	46	43	17	31	M6