


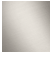





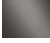
IMO Three-hole single-lever bath mixer for bath rim or tile edge installation - Chrome

IMO

27 412 670 Product version from 4/1/2024



- 224mm projection
 - spout: cascade
 - max. flow 19.2 l/min at 3 bar flow pressure
 - Hand shower: COMPACT RAIN, max. flow rate 6.8 l/min (at 3 bar)
 - complete hand shower set with anti-scale system
 - automatic bath/shower diverter
 - height of mixer 110 mm
 - height up to aerator 138 mm
 - hole diameter spout 32 mm
 - single-lever mixer hole diameter 35 mm
 - hole diameter for complete hand shower set 32 mm
 - rosette for mixer 60 x 60mm
 - rosette for spout 60 x 60mm
 - rosette for complete hand shower set 60 x 60mm
 - metal shower hose 2250mm with integrated anti-twist protection
- Intrinsic protection against back flow.

	Chrome	27 412 670-00
	Brushed Platinum	27 412 670-06
	Dark Chrome	27 412 670-19
	Brushed Light Gold (PVD)	27 412 670-27
	Matte Black	27 412 670-33
	Brushed Gold (PVD)	27 412 670-37
	Brushed Chrome	27 412 670-93
	Brushed Dark Platinum	27 412 670-99

Recommended miscellaneous



Perfecto installation kit - 12 614 970 90

Recommended miscellaneous

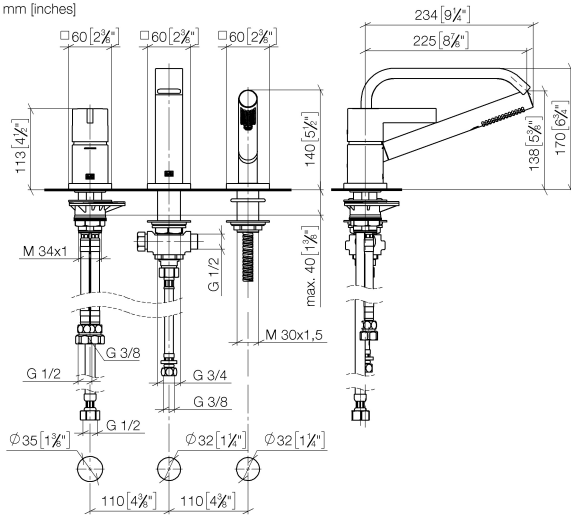


Decorative caps for Perfecto - Chrome 12 801 970-00
• 1 pair

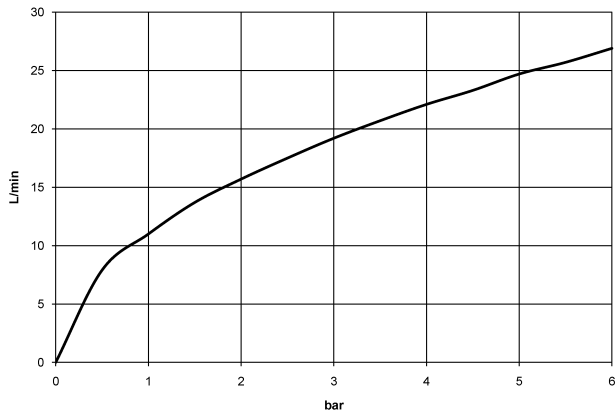
IMO Three-hole single-lever bath mixer for bath rim or tile edge installation - Chrome

IMO

27 412 670 Product version from 4/1/2024
mm [inches]



Flow rate chart



Codes & Standards

ASME A112.18.1

cUPC

DIN 4109

EN 1717

ISO 3822

Ü-Zeichen



IMO Three-hole single-lever bath mixer for bath rim or tile edge installation - Chrome

IMO

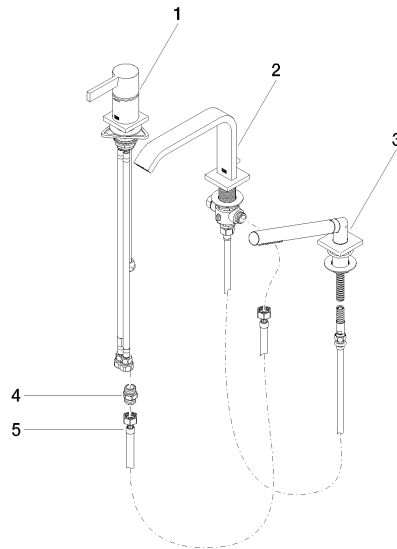
27 412 670 Product version from 4/1/2024

Certificates and sustainability

IAPMO_4976

Belgaqua_24-008-2 LGA_29

EPD-DOR-20230287
-IBA1-EN
Environmental.prod
uct-declarat



Spare parts list

No.	Item Number	Name	Quantity used	Delivery time
1	29 300 670-00	Single-lever bath mixer for bath rim or tile edge installation - Chrome	1.00	20
4	90 24 03 168 00 90	Nipple 1/2" x 1/2" -	1.00	14
3	27 702 980-00	Hand shower set for bath rim or tile edge installation - Chrome	1.00	20
5	12 502 970 90	High pressure hose 1/2" x 1/2" x 400 mm -	1.00	14
2	13 512 670-00	IMO Bath spout with diverter for deck mounting - Chrome	1.00	-
Spare part can no longer be ordered, please order the replacement item				