



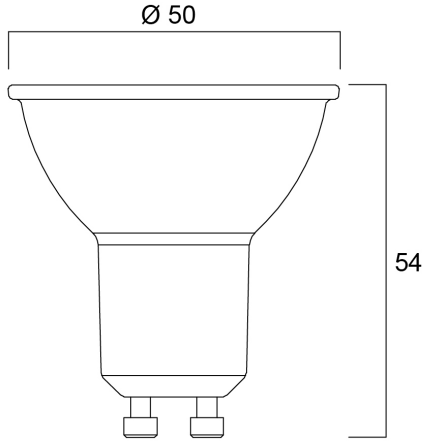
## Features

- Compact, energy efficient and exceptional value LED GU10 lamp Same shape and size as halogen GU10 lamp Compact Cluster SMD technology enabling high efficiency with halogen look Reduced visible heat sink from the front Available in 110 degree beam angle High lumen efficacy 15,000 hours average rated life 3 years warranty

## Product Overview

Product name	RefLED ES50 V6 320LM 865 110 SL10
Technology	LED
Watt (Rated) (W)	4.2
Cap/Base	GU10
Fixture rating	Open
Colour temperature (K)	6500
CRI (Ra)	80
Colour Consistency (SDCM)	6
Colour Variation Initial (SDCM)	6
Photobiological Risk Group	RG1
Wattage (W)	4.2
Product EAN number	5410288291772
Warranty	3 years

## Technical drawings



## Data table

### GENERAL DATA

Product name	RefLED ES50 V6 320LM 865 110 SL10
Technology	LED
Watt (Rated) (W)	4.2
Cap/Base	GU10
Fixture rating	Open
Operating temperature range (°C)	-20°C...+40°C
Performance ambient temperature Tq (°C)	25
Warranty	3 years

### OPTICAL DATA

Colour temperature (K)	6500
CRI (Ra)	80
Colour Consistency (SDCM)	6
Colour Variation Initial (SDCM)	6

## RefLED ES50 V6 320LM 865 110 SL10 0029177

Luminous Intensity (cd)	170
Photobiological Risk Group	RG1
Lumen maintenance at end of nominal life (%)	70

### ELECTRICAL DATA

Wattage (W)	4.2
Equivalent watt (W)	45
Primary Supply/Product voltage - min (V)	220
Control gear required	No
Inrush Current (A)	3.9
Inrush Duration ( $\mu$ s)	4100
Lamp Energy Label (class)	F
Nominal Frequency (Hz)	50/60Hz

### LIFETIME DATA

Lifespan L70 B50	15000
Average life (Rated) (h)	15000

### PHYSICAL DATA

Nominal Product Diameter (mm)	50
Weight (kg)	0.35

### PACKAGING

Single packaging type	Carton
Product EAN number	5410288291772
Packaging single width (cm)	19.5
Packaging single depth (cm)	10.4
DUN14 (outer)	15410288291779
Packaging outer length / height (cm)	9.2

### SAFETY DATA

Optimal operating condition ( $^{\circ}$ C)	-20-40
---	--------

# SYLVANIA

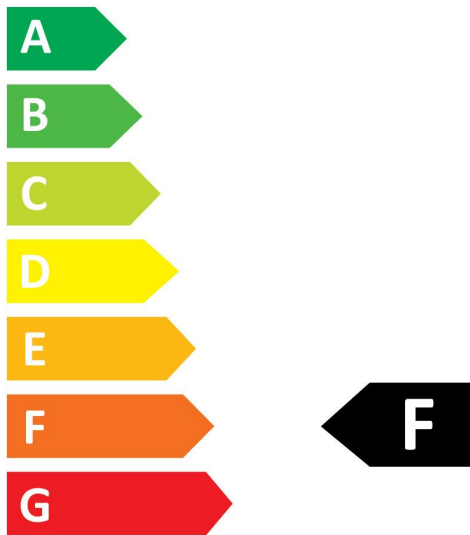
RefLED ES50 V6 320LM 865 110 SL10  
0029177

Breakage cleaning instructions	Not applicable
Special purpose lamp	No
Dry applications use only	No
Suitable for household illumination	No
Safety message	Not Suitable for totally enclosed fixtures

## Energy label



0029177



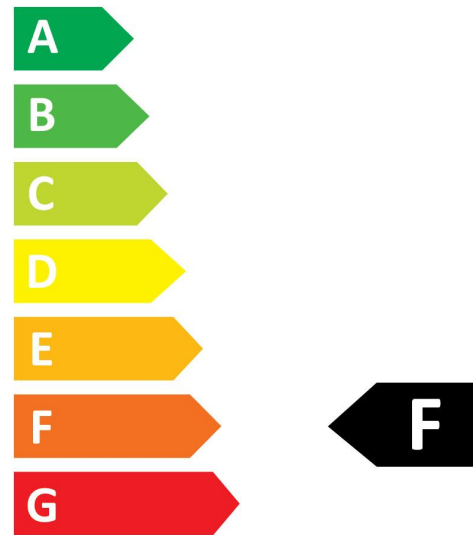
5  
kWh/1000h



2019/2015



0029177



5  
kWh/1000h



2019/2015

Light your world