

# SPIROTECH SPECIFICATION SHEET



Product: SpiroVent deaerator 22 mm Universal Compression fitting

Type:  
Date:

UA022W  
2/1/2024

Customer:

Project:

Reference:

## Design criteria

Medium:	Water / glycol (max 50%)	
Max. flow velocity:	1	m/s
Max. flow rate:	1.30	m <sup>3</sup> /h
Max. pressure:	10	bar-g
Max. temperature:	110	°C
Design standard:	EN 13445	

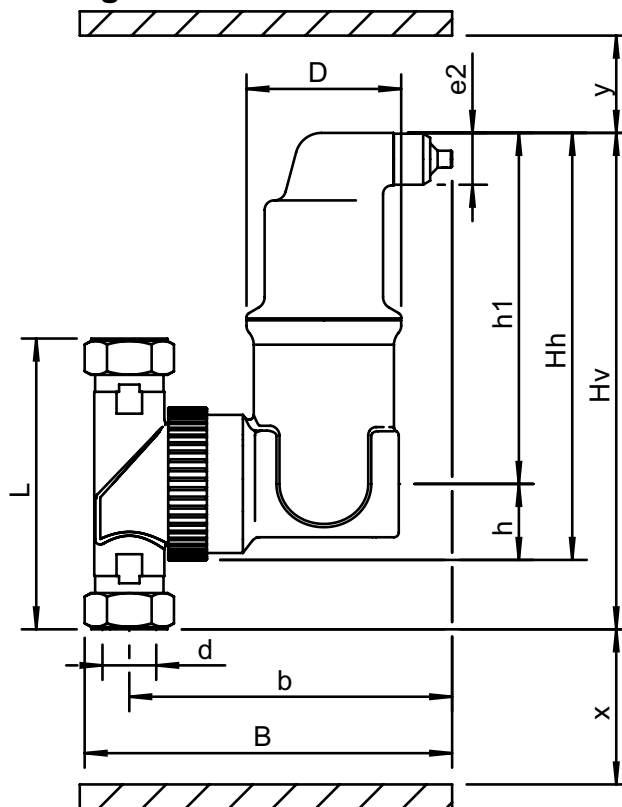
## Testing and quality assurance

Leakage test:	no
Test certificate:	no
Design and manufacturing acc. 2014/68/EU:	yes
Material certificates (structural parts):	no
Drawing:	no

## Construction materials

Body:	Brass
Deaeration cap:	Brass
Valve sealing:	Viton
Float:	PP
Spirotube Tube:	Copper
Spirotube Wire:	Copper
Spirotube Solder:	Tin(SnCu3)

## Drawing



## Dimensions

d:	22 mm
h:	32 mm
Hh:	177 mm
Hv:	201 mm
h1:	145 mm
L:	112 mm
D:	64 mm
B:	152 mm
b:	134 mm
x:	>50 mm
y:	>50 mm
e2:	R1/2

Volume 0.18 ltr  
Dry weight (approx) 1.8 kg

Subject to changes