

## Bath grip - Chrome

SERIES SPECIFIC

83 020 979 Product version from 7/1/2023

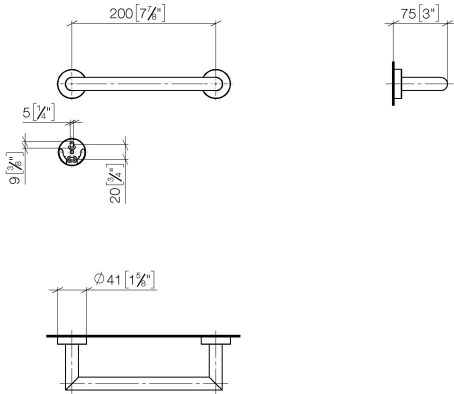


- gauge 200 mm
- width 240mm
- height 40 mm
- rosette Ø 40 mm
- 75mm projection

	Chrome	83 020 979-00
	Brushed Platinum	83 020 979-06
	Dark Chrome	83 020 979-19
	Light Gold (PVD)	83 020 979-26
	Brushed Light Gold (PVD)	83 020 979-27
	Matte Black	83 020 979-33
	Brushed Gold (PVD)	83 020 979-37
	Brushed Dark Brass (PVD)	83 020 979-39
	Brushed Bronze (PVD)	83 020 979-42
	Brushed Dark Bronze (PVD)	83 020 979-43
	Brushed Champagne (22kt Gold)	83 020 979-46
	Champagne (22kt Gold)	83 020 979-47
	Brushed Chrome	83 020 979-93
	Brushed Dark Platinum	83 020 979-99

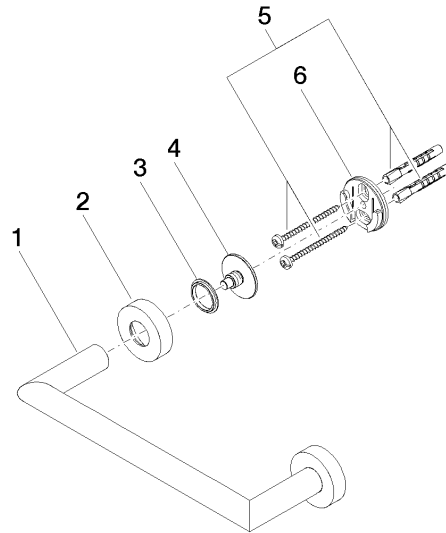
83 020 979 Product version from 7/1/2023

mm [inches]



83 020 979 Product version from 7/1/2023

Parts for other finishes can be found here: Brushed  
Platinum



## Spare parts list

No.	Item Number	Name	Quantity used	Delivery time
5	05 30 31 025 00 90	Mounting Bolt Round head 4,5 x 60 mm -	2.00	14
4	08 17 97 560 90	Holder Ø 32 x 16 mm -	2.00	14
2	08 27 97 502-00	Rosette M38 x 1.5 Ø 40 x 11 mm - Chrome	2.00	20
3	08 30 11 517 90	Ring Ø 24,5 x 3 mm -	2.00	14
6	08 17 97 501 07	Holder Ø 38 x 9 mm -	2.00	14
1	05 28 22 545 00-00	Handle for bath grip 218 x 68 x 18 mm - Chrome	1.00	20