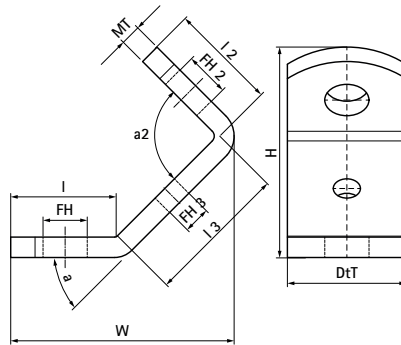


Walraven Threaded Rod Support

(E0560)

for diagonal ties 45 deg



Features & benefits

- for strengthening rail constructions with the aid of threaded rods
- also suitable for bracing cantilever arms
- material: steel 1.0332
- zinc plated
- max. allowed load ($F_{a,z}$) under an angle of 45°

Product Number	Length	Length 2	Length 3	Material Thickness	Fixing Hole	Fixing Hole 2	Fixing Hole 3	Angle	Angle 2	Total Height	Total Width	Total Depth	Maximum Allowed Load $F_{a,z}$
Reference letter	<i>l</i>	<i>l2</i>	<i>l3</i>	<i>MT</i>	<i>FH</i>	<i>FH 2</i>	<i>FH 3</i>	<i>a</i>	<i>a 2</i>	<i>H</i>	<i>W</i>	<i>DtT</i>	<i>F_{a,z}</i>
Unit description	mm	mm	mm	mm	mm	mm	mm	°	°	mm	mm	mm	N
6698013	31	31	42	6.00	13	13	8	45	90	63	74	35	3,000