

34 459 360 Product version from 4/1/2025



Rain shower:

- rain shower Ø 200 mm
- Rain shower material: metal
- overhead shower: rain flow
- max. rainshower flow 14 l/min
- Function from: 8 l/min
- rain shower with anti-scale system

Hand shower:

- spray head Ø 95mm
- Three settings: COMPACT RAIN, COMPACT SOFT FLOW, COMPACT AQUAPRESSURE FLOW, max. flow rate l/min (at 3 bar)
- 1/2" connection
- with anti-scale system

Control element:

- rotary diverter for fixed-riser shower/hand shower
- two-part push-on rosette Ø 65 mm
- metal shower hose 1250mm with integrated anti-twist protection

Technical data:

- shower with fixed riser projection 420mm
- height of fittings up to rain shower (bottom edge) 985mm
- height of fittings up to top edge of elbow 1160mm
- rosette for wall mounting Ø 60mm
- rosette for shower holder Ø 65mm
- Pipe diameter 20 mm
- gauge 150 mm - 13 mm

Notes:

- inherently safe from back flow
- This product can help a building meet the requirements of Green Building Rating Systems, e.g. LEED®, BREEAM®, DGNB

This article does not include a hand shower!

Intrinsic protection against back flow.

NOTE: The handles must be ordered separately from the fittings!

	Chrome	34 459 360-00
	Brushed Platinum	34 459 360-06
	Platinum	34 459 360-08
	Durabrand (23kt Gold)	34 459 360-09
	Brushed Durabrand (23kt Gold)	34 459 360-28
	Brushed Gold (PVD)	34 459 360-37
	Brushed Dark Brass (PVD)	34 459 360-39
	Brushed Bronze (PVD)	34 459 360-42
	Brushed Dark Platinum	34 459 360-99

Recommended miscellaneous

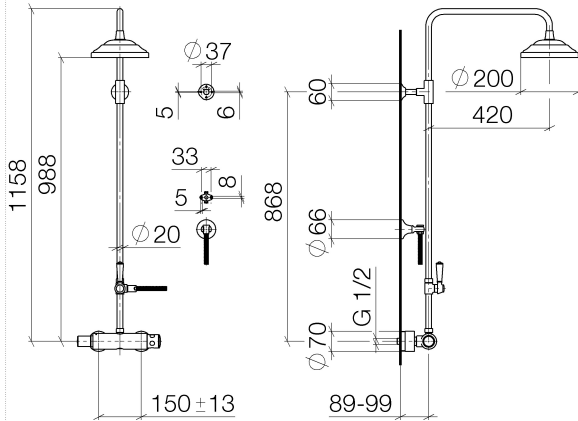


Elbow 35° - Chrome

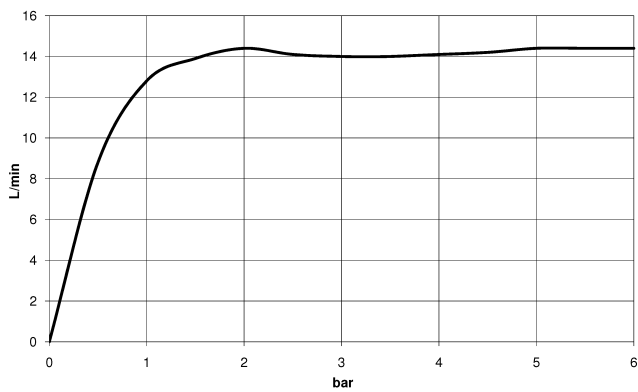
28 411 970-00

34 459 360 Product version from 4/1/2025

1:10



Flow rate chart



Codes & Standards

DIN 4109

ISO 3822

Ü-Zeichen



MADISON Showerpipe with shower thermostat without hand shower 200 mm -
Chrome

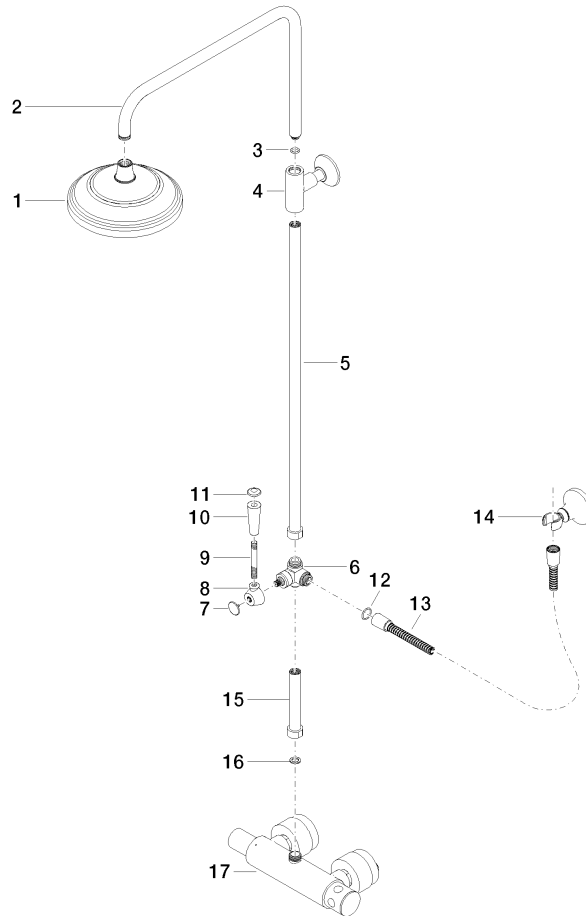
MADISON

34 459 360 Product version from 4/1/2025

Certificates and sustainability

LGA_38	EPD-DOR-20230287 -IBA1-EN Environmental.prod uct-declarat
--------	--

34 459 360 Product version from 4/1/2025



Spare parts list

No.	Item Number	Name	Quantity used	Delivery time
	3 90 14 10 011 00 90	O-Ring EPDM 70 11,0 x 2,5 mm -	1.00	14
	5 90 28 22 104 00-00	Pipe 650 mm - Chrome	1.00	20
	4 90 17 11 037 01-00	Mounting for spray deck mounting T-piece - Chrome	1.00	20
	2 04 28 22 101 20-00	Spout 447,5 x 30 x 297 mm - Chrome	1.00	20
	1 04 12 05 038 01-00	Rainshower round Ø 200 x 93 mm - Chrome	1.00	20
	17 04 17 01 044 01-00	Connection for shower thermostat wall mounting 315 x 85 x 210 mm - Chrome	1.00	20
	16 90 14 20 002 00 90	Washer 18,5 x 12,0 x 2,0 mm -	1.00	14
	10 11 170 370-00	MADISON Lever insert - Chrome	1.00	20
	12 09 14 10 122 90	O-Ring EPDM 70 18,6 x 2,0 mm -	1.00	14
	6 90 17 09 045 01-00	Diverter Body, standpipe diverter, Madison - Chrome	1.00	20
	8 09 18 20 011-00	Adapter 43 x 21 x 36 mm - Chrome	1.00	20
	7 09 30 30 064-00	Cover Ø 25,5 x 15 mm - Chrome	1.00	20
	14 28 050 410-00	MADISON Wall bracket - Chrome	1.00	-
Spare part can no longer be ordered, please order the replacement item				
	28050361-00	MADISON Wall bracket - Chrome		
	13 28 104 970-00	Metal shower hose 1/2" x 1/2" x 1250 mm - Chrome	1.00	14
	15 90 28 22 103 00-00	Pipe 120 mm - Chrome	1.00	20
	9 09 28 22 013 90	Mounting Ø 10 x 75 mm -	1.00	14
	11 09 30 30 062-00	Cover Ø 24 x 8 mm - Chrome	1.00	20