

Product data

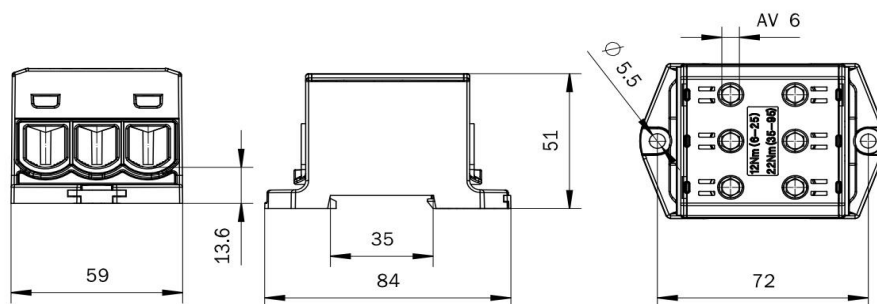
Product code	VC05-0488	STK-code	1914351	EAN-code	6430051860232
Product name	OTL-connector 3xAl/Cu 6-95mm ² (Black)			ETIM class	EC000897
Wires	3xAl/Cu 6-95 mm ²				

Technical data

Nominal current (IEC)	Cu	490	A
	Al	440	A
Nominal voltage (IEC)	1000 V AC / 1500 V DC		
Max. Current (US)	Cu	2x230	A
	Al	180	A
Max. Voltage (US)	1000 V		
Number of poles	1 pcs		
Max. Cross section	95 mm ²		
Tightening torque	-		
	6-25 mm ² (3-10 AWG)	12	Nm
	35-95 mm ² (4/0-2 AWG)	22	Nm
Min. installation temperature	+5 °C		
Operating temperature	-25...+80 °C		
Weight	178 g		
IP-protection	IP20		
Standards	EN 61238-1:2003; EN 60947-7-(1-2):2009; UL1059 & CSA C22.2 No. 158-10		
Color / Material	Black RAL 9017/ PA66-V0		
Mounting / Connection	DIN-rail and screw (M5) mounting		


Description

OTL-connectors are designed for connecting and branching aluminium and copper conductors. The body is made of tin plated aluminium. Housing is made of UL94 V0 class polyamide. Made in Finland.

Drawing

Package

Package	Box	Pcs / Package	12	Weight [kg]	2,30
Length [mm]	205	Width [mm]	180	Height [mm]	135

Ouneva Oy

Teollisuustie 21
FI-82730 Tuupovaara
Finland

www.ounevagroup.fi
www.ounevaproducts.fi