

Dispenser , wall model - Brushed Dark Platinum

SERIES-VARIOUS

83 435 970 Product version from 10/1/2023

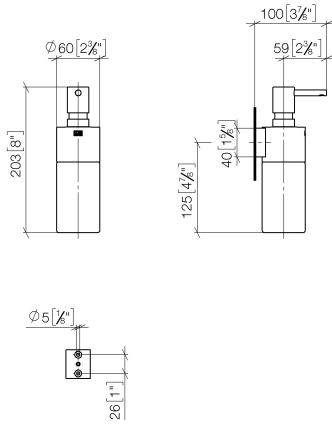


- bottle made of crystal glass, matt
- width 60mm
- height 200 mm
- 250 ml bottle
- 96mm projection

	Brushed Dark Platinum	83 435 970-99
	Chrome	83 435 970-00
	Brushed Platinum	83 435 970-06
	Platinum	83 435 970-08
	Dark Chrome	83 435 970-19
	Light Gold (PVD)	83 435 970-26
	Brushed Light Gold (PVD)	83 435 970-27
	Brushed Durabrass (23kt Gold)	83 435 970-28
	Matte Black	83 435 970-33
	Brushed Gold (PVD)	83 435 970-37
	Brushed Dark Brass (PVD)	83 435 970-39
	Brushed Bronze (PVD)	83 435 970-42
	Brushed Dark Bronze (PVD)	83 435 970-43
	Brushed Champagne (22kt Gold)	83 435 970-46
	Champagne (22kt Gold)	83 435 970-47
	Brushed Chrome	83 435 970-93

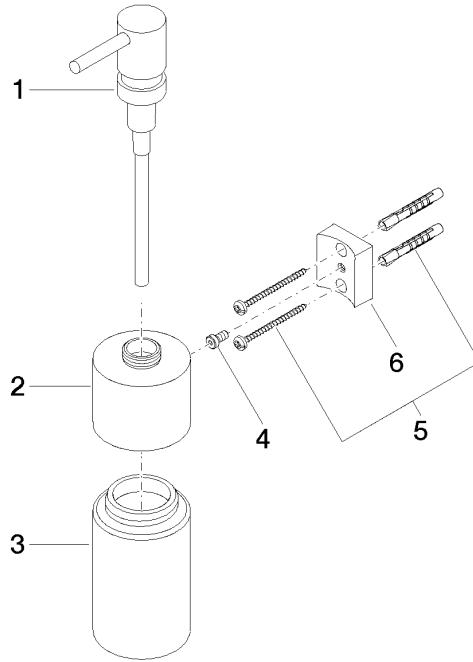
83 435 970 Product version from 10/1/2023

mm [inches]



83 435 970 Product version from 10/1/2023

Parts for other finishes can be found here: [Chrome](#)



Spare parts list

No.	Item Number	Name	Quantity used	Delivery time
5	05 30 31 025 00 90	Mounting Bolt Round head 4,5 x 60 mm -	1.00	14
6	08 10 10 530-99	Holder for glass holder + dispenser 40 x 34 x 15 mm - Brushed Dark Platinum	1.00	40
2	90 10 10 525 00-99	Dispenser Retainer, wall-mounting Ø 60 x 49 mm - Brushed Dark Platinum	1.00	40
4	09 30 30 093 90	Mounting Cylinder head screw with hexagon socket with low profile, without key guide M5 x 10 mm -	1.00	14
3	90 90 04 001 00 82	Bottle for lotion dispenser -	1.00	14
1	90 10 10 535 00-99	Lotion dispenser - Brushed Dark Platinum	1.00	40