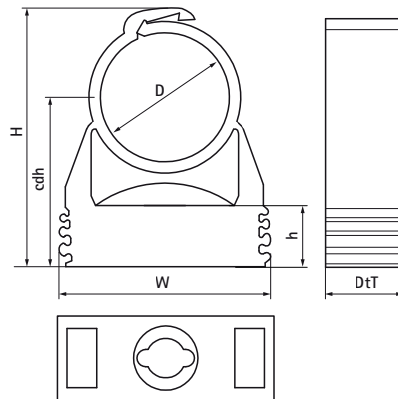


Walraven starQuick® Clamp (White)

(C0510)

for securing conduits and pipes to walls, floors, or ceilings



Features & benefits

- one-part clamp
- clamp closes by applying pressure to the pipe
- for outdoor use and installations in swimming pool environments, chemical factories, zinc factories, etc.
- due to a patented profile it is possible to tack several clamps to each other
- material: modified PA6 (polyamide), white (according to RAL 9003)
- resistant to UV, ageing, oil and petrol
- no corrosion, recyclable, halogen free
- temperature resistance from approx. -40 °C to approx. +90 °C (constant); short to approx. +130 °C



Product Number	VVS Number	Total Height	Total Width	Total Depth	Clamp Center Distance Height	Height	Connection Thread	Maximum Allowed Load Faz	Breaking Load Fbz
Reference letter		H	W	DtT	cdh	h	G	F _{a,z}	F _{b,z}
Unit description		mm	mm	mm	mm	mm		N	N
0855010	018035012	34	29	17	24	12.1	None	500	500
0855012	018035014	36	29	17	25	10.6	None	180	550
0855015	018035016	36	29	17	25	10.6	None	200	600
0855018	018035020	40	29	17	27	10.6	None	230	700
0855022	018035023	43	29	17	28	10.6	None	270	800
0855028	018035028	50	40	18	32	10.6	None	280	850
0855031	018035031	55	40	17	36	10.6	None	300	900
0855035	018035035	59	43	17	37	10.6	None	330	1,000
0855038	018035040	68	47	17	44	10.6	None	330	1,100
0855042	018035044	70	52	17	44	12.1	None	330	1,200
0855050	018035050	79	57	17	50	12.1	None	330	1,300
0855054	018035055	82	63	17	50	12.1	None	330	1,400
0855063	018035065	95	74	20	57	12.1	None	500	1,500