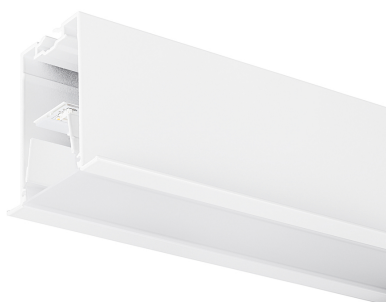


# Concord

## MC2 TRIM 2.4M 4K DALIEM WHT OPAL 2071495



### Features

- MC2 TRIM 2.4M 4K DALIEM WHT OPAL LED luminaire, white RAL9016 finishing, direct distribution, trim detail for plasterboard ceilings, suitable for recessed installation either horizontally or vertically, various accessories available, compact and minimalist design based on the Golden Mean, ideal for offices, meeting rooms, corridors, education facilities, museums and libraries, extruded aluminium body, diffuser: opal, colour temperature: 4000K neutral white, total system power: 37W, total fixture output: 4800lm, emergency output: 147lm, luminaire efficacy: 130lm/W, LOR: 100%, colour rendering: Ra >80, LED Chromacity: 3 step MacAdam ellipse, lifespan: 66,000 hours L90B10, IR/UV free light source without heat radiation, operating voltage: 220-240V / 50-60Hz, drive current: 800mA, electronic driver, DALI dimmable, integral emergency: 3 hour maintained, electrical protection: CLASS I, IP20, suitable for internal environment only.

### Product Overview

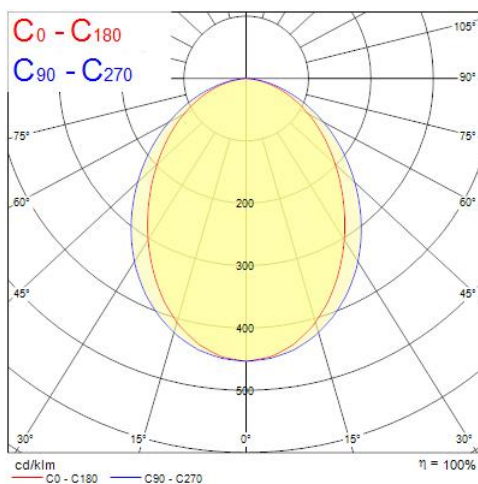
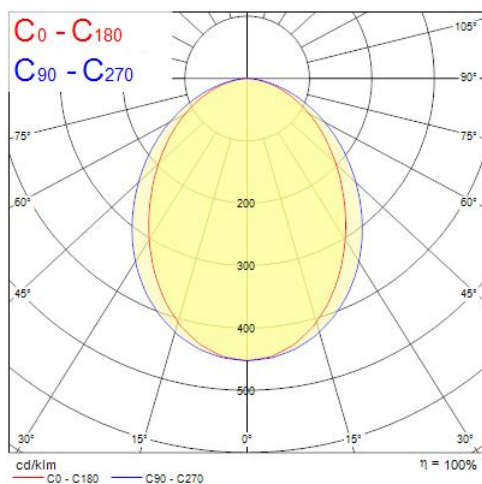
<b>Product name</b>	MC2 TRIM 2.4M 4K DALIEM WHT OPAL
<b>Technology</b>	LED (3 SDCM)
<b>Cap/Base</b>	N/A
<b>Housing</b>	Aluminium
<b>Mount</b>	Ceiling recessed mounting
<b>General application</b>	Education, Hospitality, Office, Retail
<b>ETIM Class</b>	EC002892
<b>Fixture luminous flux (lm)</b>	4800
<b>Luminaire efficacy (lm/W)</b>	130
<b>LOR (%)</b>	100
<b>Colour temperature (K)</b>	4000

# Concord

## MC2 TRIM 2.4M 4K DALIEM WHT OPAL 2071495

Light colour	Neutral White
CRI (Ra)	80
Colour Variation Initial (SDCM)	3
Glare control	< 24
Photobiological Risk Group	RG0
Luminous flux (emergency) (lm)	147
Luminous flux (emergency) (lm)	147
Total power consumption (W)	37
Electrical protection	Class I
Control gear type	Electronic ballast
Dimmable	Yes
Minimum dimming level (%)	1
Housing colour	White
IP rating	IP20
IK rating	IK03
Product EAN number	5025768714957
Warranty	5 years
Useful luminous flux (#use)	4800
Dimming method	DALI

## Photometry



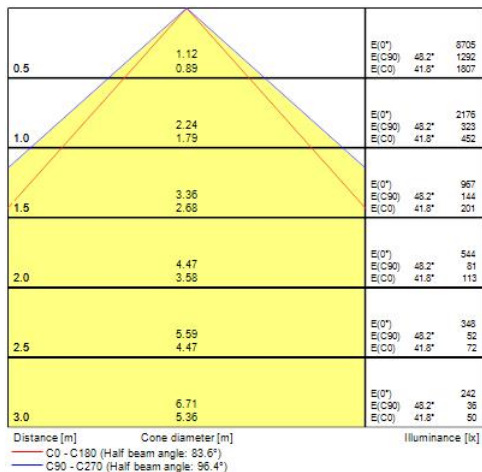
Distance [m]	Cone diameter [m]	E(0°)	E(C90)	E(C0)	Illuminance [lx]
0.5	1.12 0.89	48.3°	41.8°	256 39 55	
1.0	2.24 1.79	48.3°	41.8°	67 10 14	
1.5	3.37 2.68	48.3°	41.8°	30 4 6	
2.0	4.49 3.58	48.3°	41.8°	17 2 3	
2.5	5.61 4.47	48.3°	41.8°	11 2 2	
3.0	6.73 5.36	48.3°	41.8°	7 1 2	

Distance [m] Cone diameter [m] Illuminance [lx]

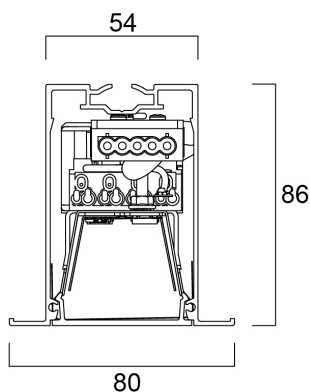
— C0 - C180 (Half beam angle: 83.6°)  
— C90 - C270 (Half beam angle: 56.6°)

# Concord

## MC2 TRIM 2.4M 4K DALIEM WHT OPAL 2071495



## Technical drawings



## Data table

### GENERAL DATA

Product name	MC2 TRIM 2.4M 4K DALIEM WHT OPAL
Technology	LED (3 SDCM)
Cap/Base	N/A
Housing	Aluminium

# Concord

## MC2 TRIM 2.4M 4K DALIEM WHT OPAL 2071495

Mount	Ceiling recessed mounting
General application	Education, Hospitality, Office, Retail
Operating temperature range (°C)	1°C...+35°C
Performance ambient temperature Tq (°C)	25
ETIM Class	EC002892
Warranty	5 years

### OPTICAL DATA

Useful luminous flux (#use)	4800
Fixture luminous flux (lm)	4800
Luminaire efficacy (lm/W)	130
LOR (%)	100
Colour temperature (K)	4000
Light colour	Neutral White
CRI (Ra)	80
Colour Variation Initial (SDCM)	3
Adjustable chromaticity	N
Luminous Intensity (cd)	2176
Distribution type	Symmetric
Glare control	< 24
Photobiological Risk Group	RG0
Luminous flux (emergency) (lm)	147
Luminous flux (emergency) (lm)	147
Emergency duration (h)	3

### ELECTRICAL DATA

Total power consumption (W)	37
Primary Supply/Product voltage - min (V)	220
Primary Supply/Product voltage - max (V)	240
Lamp power factor	0.98
THD (at 230 V, 50 Hz, full load, at 100% dimming level) ≤ xx.x %	6.1
Electrical protection	Class I

# Concord

## MC2 TRIM 2.4M 4K DALIEM WHT OPAL 2071495

Control gear required	No
Control gear type	Electronic ballast
Dimmable	Yes
Dimming method	DALI
Minimum dimming level (%)	1
Drive current - Range (mA)	350mA / 1050mA
Inrush Current (A)	40
Inrush Duration (µs)	178
Glow Wire Test (°C)	650
Energy Efficiency Class (A->G) of contained light source	C, C(more than 1 Light Source)
Nominal Frequency (Hz)	50/60Hz
Max. products per 10A C Breaker	15
Max. products per 13A C Breaker	20
Max. products per 16A C Breaker	23
Max. products per 20A C Breaker	30
Max. products per 10A B Breaker	9
Max. products per 13A B Breaker	12
Max. products per 16A B Breaker	14
Max. products per 20A B Breaker	18
Connectable conductor cross section - Max (mm <sup>2</sup> )	1.5

### LIFETIME DATA

Lifespan L70 B50	120000
Lifespan L80 B20	92500
Lifespan L90 B10	66000

### PHYSICAL DATA

Housing colour	White
IP rating	IP20
IK rating	IK03
Diffuser finish	Opal
Diffuser material	PC Polycarbonate

# Concord

## MC2 TRIM 2.4M 4K DALIEM WHT OPAL 2071495

Reflector finish	White
Nominal Product Length (mm)	2400
Nominal Product Width (mm)	80
Nominal Product Height (mm)	86
Cutout Dimensions (W x L in mm or Diameter in mm)	60 x 2400
Weight (kg)	5.9
Recessed Depth (mm)	136

### PACKAGING

Product EAN number	5025768714957
Packaging single length / height (cm)	245.0
Packaging single width (cm)	9.0
Packaging single depth (cm)	10.0
DUN14 (outer)	05025768714957
Units per outer package	1
Packaging outer length / height (cm)	245.0
Packaging outer width (cm)	9.0
Packaging outer depth (cm)	10.0

### SAFETY DATA

Optimal operating condition (°C)	1-35
Special purpose lamp	No
Dry applications use only	No
Suitable for household illumination	No