

# RefLED ES50 V5 345lm DIM 830 36° SL

Item No: 0027440

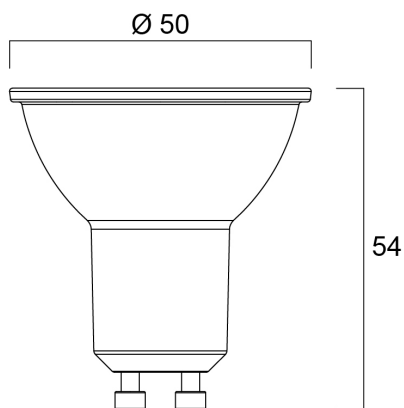
**SYLVANIA**



- Compact, energy efficient and exceptional value for money product.
- Same shape and size as halogen GU10 lamp
- Compact Cluster SMD technology enabling high efficiency with halogen look
- Reduced visible heat sink from the front
- Available in 36 degree
- High lumen efficacy
- Dimmable with approved dimmers
- 15,000 hours average rated life
- 3 years warranty

## Technical Assets

### Dimensions (mm)



### Photometrics

# RefLED ES50 V5 345lm DIM 830 36° SL

Item No: 0027440

**SYLVANIA**

## General data

|   |  |
|---|--|
| Product name                            | RefLED ES50 V5 345lm<br>DIM 830 36° SL   |
| Technology                              | LED  |
| Watt (Rated) (W)                        | 5  |
| Cap/Base                                | GU10   |
| Fixture rating                          | Open   |
| General application                     | Office, Hospitality,<br>Retail, Education,<br>Residential & Consumer,<br>Museums & Galleries |
| Performance ambient temperature Tq (°C) | 25   |
| ETIM Class                              | EC001959   |
| E-number FI                             | 4740466  |
| E-number SE                             | 8292497  |
| Warranty                                | 3 years  |

## Optical data

|  |            |
|--|------------|
| Useful luminous flux ( $\Phi_{use}$ )        | 345        |
| Correlated colour temperature (k)            | 3000       |
| Light colour                                 | Warm White |
| CRI (Ra)                                     | 80         |
| Colour Consistency (SDCM)                    | 6          |
| Luminous Intensity (cd)                      | 950        |
| Beam Angle (°)                               | 36         |
| Lumen maintenance at end of nominal life (%) | 70         |

## Electrical data

|   |         |
|---|---------|
| Power consumption (W)                             | 5       |
| Wattage (W)                                       | 5       |
| Equivalent watt (W)                               | 50      |
| Starting time (max) (s)                           | < 0.5   |
| Warm-up time to 60% of full light (max) (s)       | <1      |
| Primary Supply/Product voltage - min (V)          | 220     |
| Primary Supply/Product voltage - max (V)          | 240     |
| Lamp power factor                                 | 0.5     |
| No. Of switching cycles before premature failures | >50000  |
| Dimmable  | Yes     |
| Nominal Frequency (Hz)                            | 50/60Hz |

## Lifetime data

|                            |       |
|----------------------------|-------|
| Average life (Nominal) (h) | 15000 |
| Average life (Rated) (h)   | 15000 |

## Physical data

|                               |       |
|-------------------------------|-------|
| Nominal Product Length (mm)   | 54    |
| Nominal Product Diameter (mm) | 50    |
| Weight (kg)                   | 0.038 |

# RefLED ES50 V5 345lm DIM 830 36° SL

Item No: 0027440

**SYLVANIA**

## Packaging

|                                       |                |
|---------------------------------------|----------------|
| Product EAN number                    | 5410288274409  |
| Packaging single length / height (cm) | 6.1            |
| Packaging single width (cm)           | 5.2            |
| Packaging single depth (cm)           | 5.2            |
| DUN14 (inner)                         | 15410288274406 |
| Units per inner package               | 6              |
| Packaging inner length / height (cm)  | 16.7           |
| Packaging inner width (cm)            | 11.6           |
| Packaging inner depth (cm)            | 7.5            |
| DUN14 (outer)                         | 25410288274403 |
| Units per outer package               | 60             |
| Packaging outer length / height (cm)  | 59.8           |
| Packaging outer width (cm)            | 18.7           |
| Packaging outer depth (cm)            | 17.1           |

## Safety data

|                                     |                                |
|-------------------------------------|--------------------------------|
| Breakage cleaning instructions      | Not applicable                 |
| Special purpose lamp                | No                             |
| Dry applications use only           | Yes                            |
| Suitable for household illumination | Yes                            |
| Safety message                      | Dimmable with approved dimmers |