




83 510 361 Product version from 7/3/2016

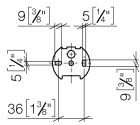
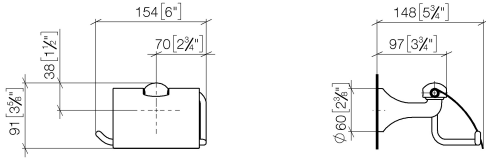


- width 145mm
- height 90 mm
- 150mm projection

	Brushed Durabronz (23kt Gold)	83 510 361-28
	Chrome	83 510 361-00
	Brushed Platinum	83 510 361-06
	Platinum	83 510 361-08
	Durabronz (23kt Gold)	83 510 361-09
	Brushed Gold (PVD)	83 510 361-37
	Brushed Dark Brass (PVD)	83 510 361-39
	Brushed Bronze (PVD)	83 510 361-42
	Brushed Dark Platinum	83 510 361-99

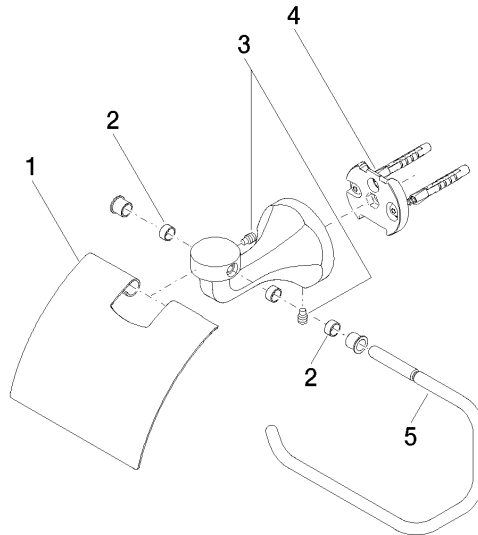
83 510 361 Product version from 7/3/2016

mm [inches]



83 510 361 Product version from 7/3/2016

Parts for other finishes can be found here: [Chrome](#)



### Spare parts list

No.	Item Number	Name	Quantity used	Delivery time
3	04 31 11 140 00 90	Mounting Threaded pin M6 x 10 mm -	2.00	14
2	08 18 40 505 90	Sleeve Ø 9,95 x 8,25 x 5,00 mm -	2.00	14
4	05 17 97 507 00 90	Attachment set 52 x 45 x 70 mm -	1.00	14
1	08 11 02 508-28	Cover for toilet roll holder 120 x 110 x 22 mm - Brushed Durabronz (23kt Gold)	1.00	40
5	08 18 70 501-28	Hanger 125 x 185 x 50 mm - Brushed Durabronz (23kt Gold)	1.00	-

Spare part can no longer be ordered, please order the replacement item