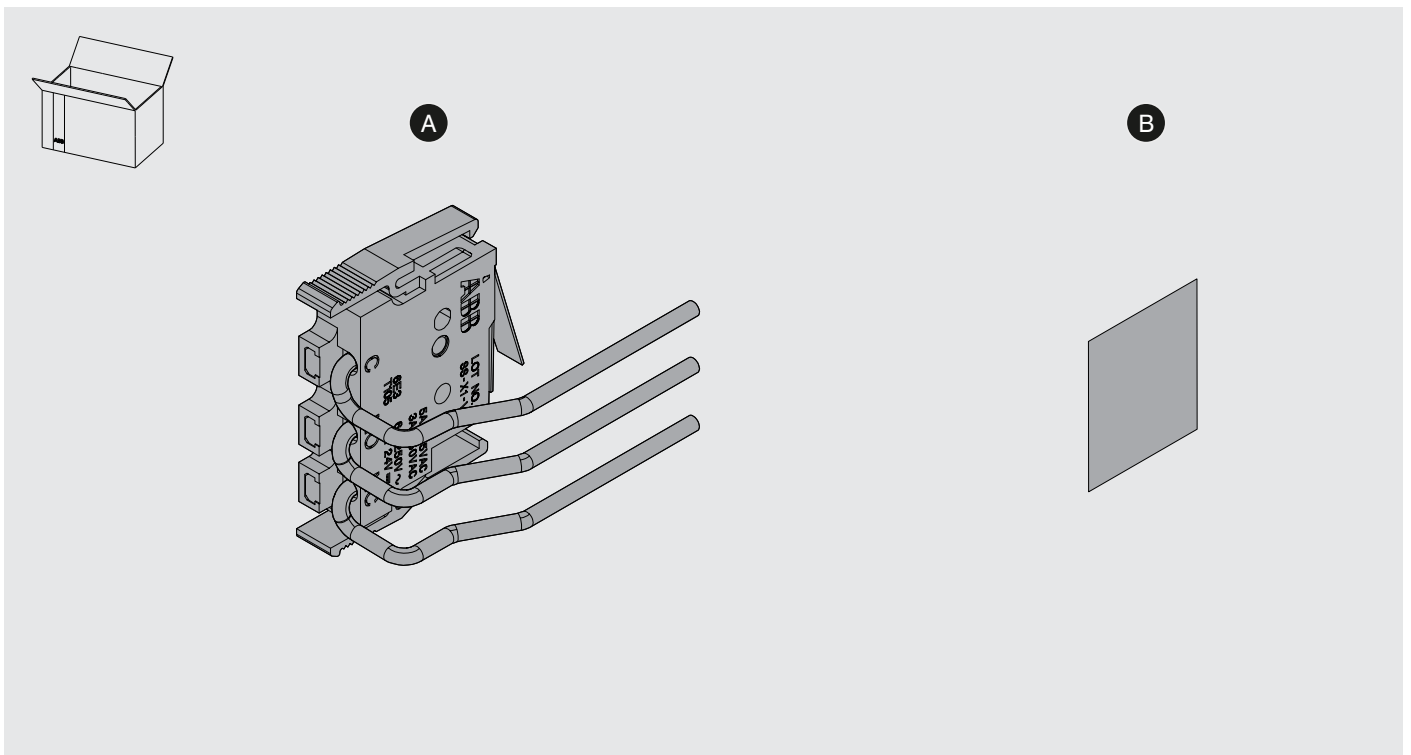
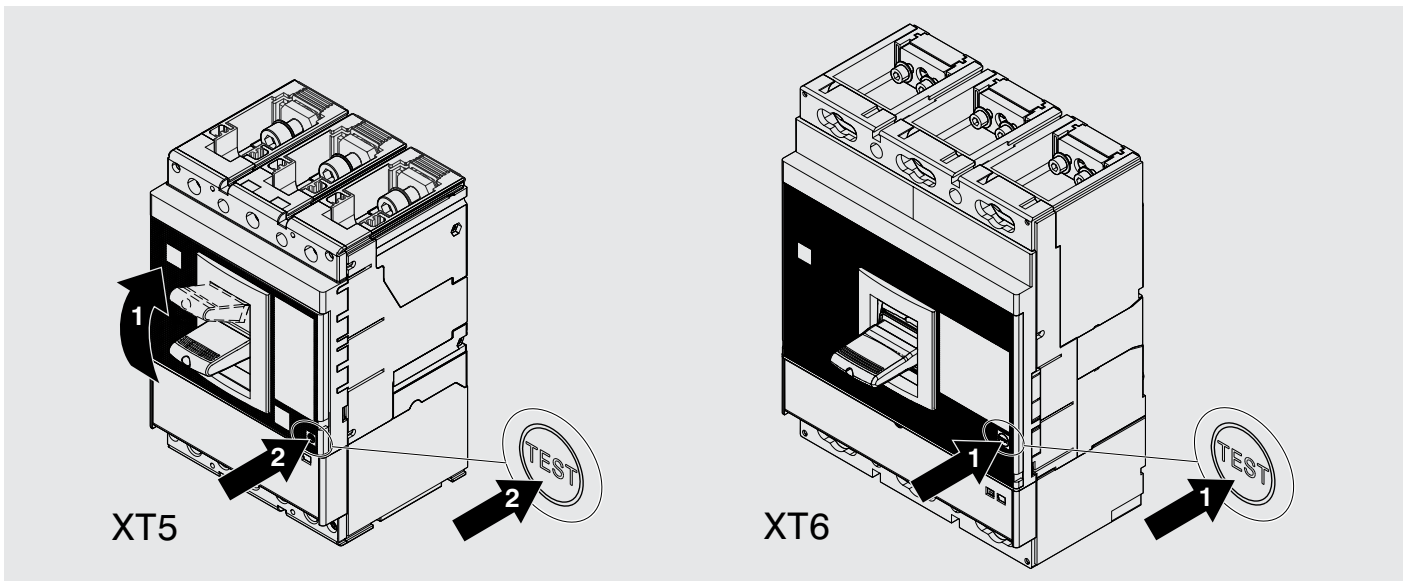



SACE Tmax XT

AUX-C - Contatti ausiliari 250V-24V cablati XT5-XT6 fisso (1Q+1SY; 2Q+1SY; 3Q+1SY; S51)
AUX-C - Wired auxiliary contacts 250V-24V XT5-XT6 fixed (1Q+1SY; 2Q+1SY; 3Q+1SY; S51)
AUX-C - Hilfskontakte 250V-24V, verdrahtet XT5-XT6 fest (1Q+1SY; 2Q+1SY; 3Q+1SY; S51)
AUX-C - Contacts auxiliaires 250V-24V câblés XT5-XT6 fixe (1Q+1SY; 2Q+1SY; 3Q+1SY; S51)
AUX-C - Contactos auxiliares 250V-24V cableados XT5-XT6 fijo (1Q+1SY; 2Q+1SY; 3Q+1SY; S51)
AUX-C - 带导线辅助触点 250V-24V XT5-XT6 固定式(1Q+1SY; 2Q+1SY; 3Q+1SY; S51)

XT5 - XT6



250 V

IEC60947-5-1 

AUX 250V							
IEC	Voltage	Category / Current					
		AC-15	AC-14	AC-13	DC-14	DC-13	DC-12
	250Vac	4A	5A	6A	-	-	-
	125Vac	5A	6A	6A	-	-	-
	250Vdc	-	-	-	0.03A	0.03A	0.3A
	110Vdc	-	-	-	0.05A	0.05A	0.5A

Uimp = 1.5kV
Ui = 300V

24 V

IEC60947-5-1 

IEC	Voltage	max Current
	30Vdc	0.1A

IEC	Voltage	min Current
	24Vdc	1mA @ 5Vdc

Uimp = 1.5kV
Ui = 300V



UL	Voltage	max Current
	250Vac	3A
	125Vac	5A
	250Vdc	0.2A
	125Vdc	0.4A



UL	Voltage	max Current
	30Vdc	0.1A

UL	Voltage	min Current
	24Vdc	1mA @ 5Vdc

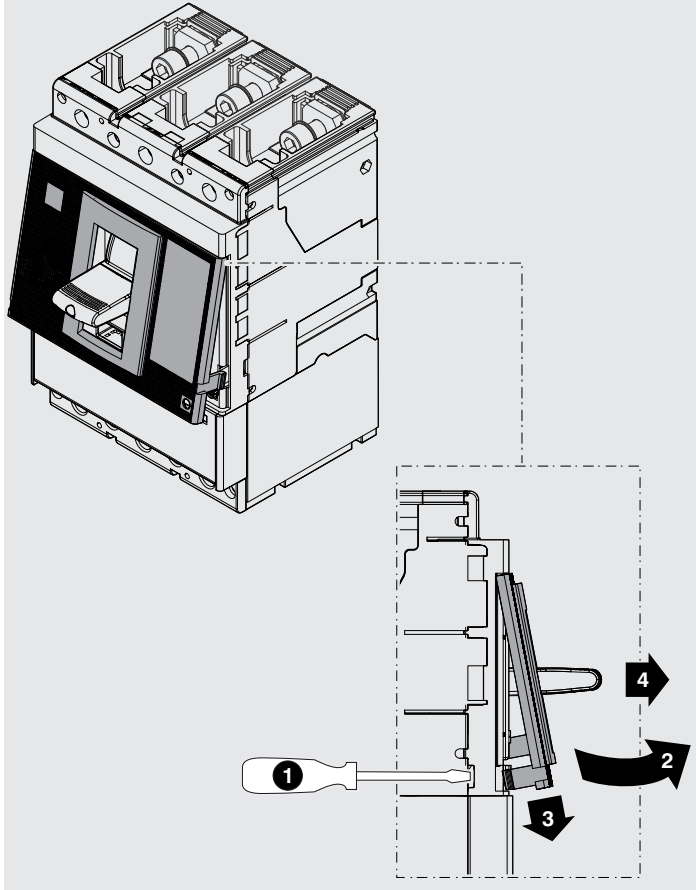
	SY/1	Q/1	Q/2	Q/3	S51
CAVI CABLES KABEL CÂBLES CABLES 导线	95-96-98	11-12-14	21-22-24	31-32-34	05-06-08

	XT5		XT6
	Thermal-magnetic and Ekip Dip trip unit	Ekip Touch and Hi-Touch trip unit	
1Q+1SY	OK	OK	OK
2Q+1SY	OK	OK	OK
3Q+1SY	OK	OK	OK
1S51	OK	OK	OK

1Q+1SY	SY/1+Q/2
2Q+1SY	SY/1+Q/1+Q/2
3Q+1SY	SY/1+Q/1+Q/2+Q/3
1S51	S51

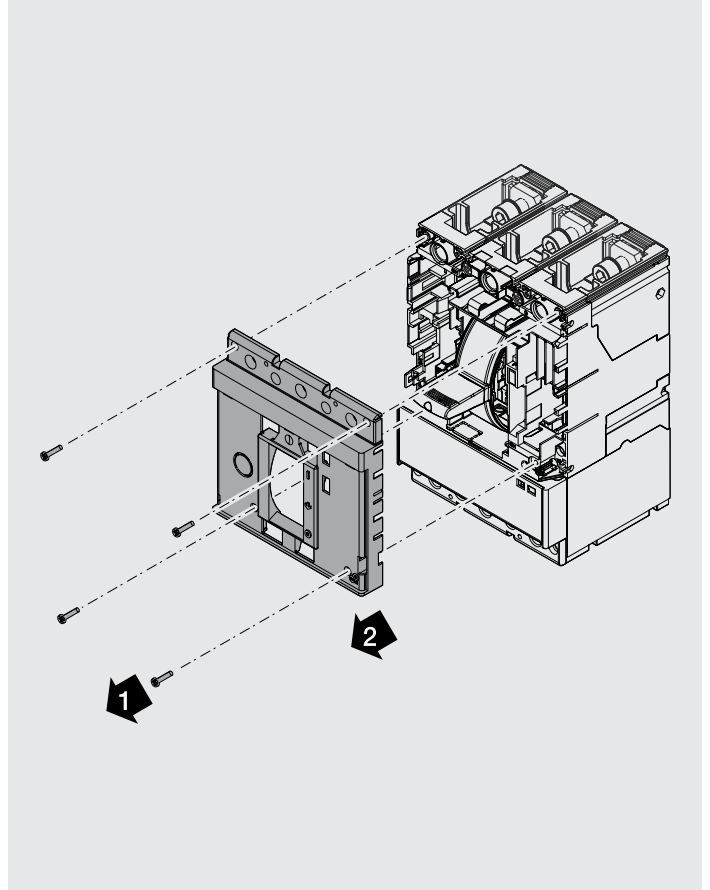
3

XT5



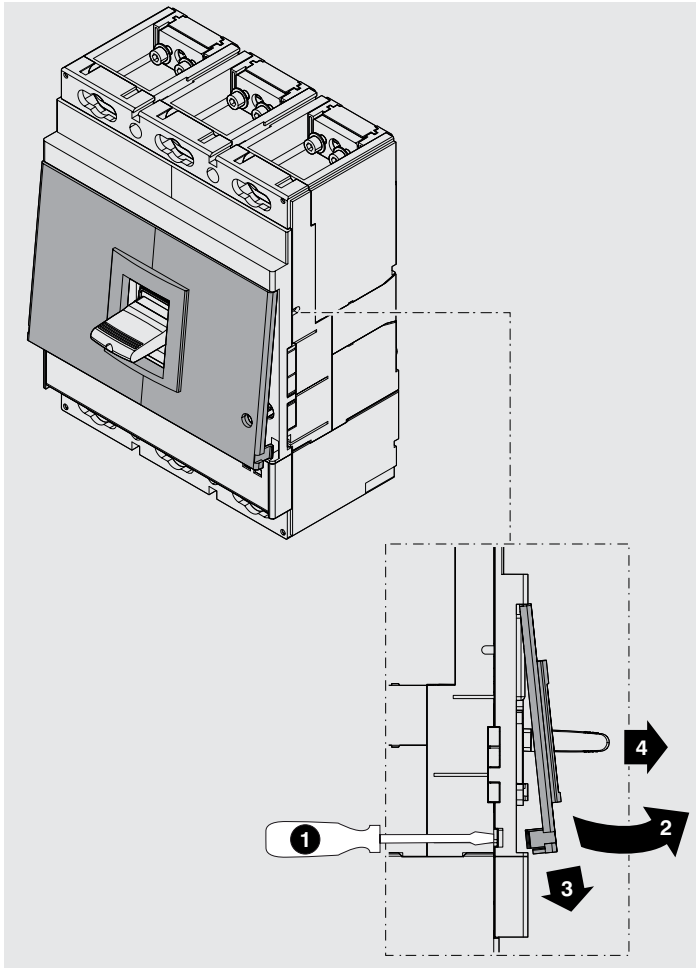
4

XT5



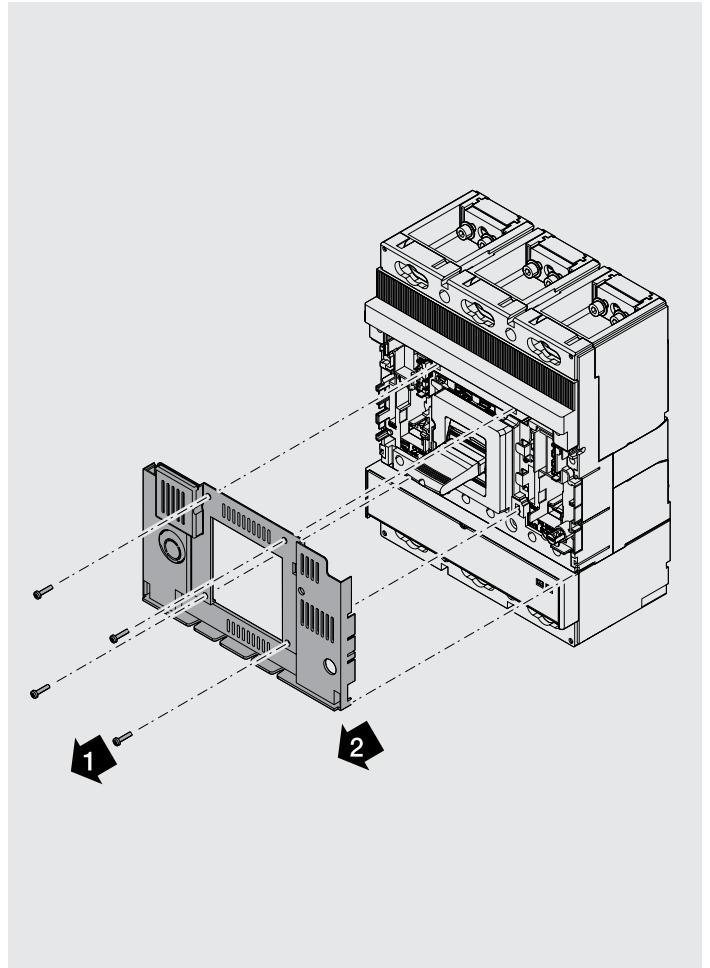
5

XT6



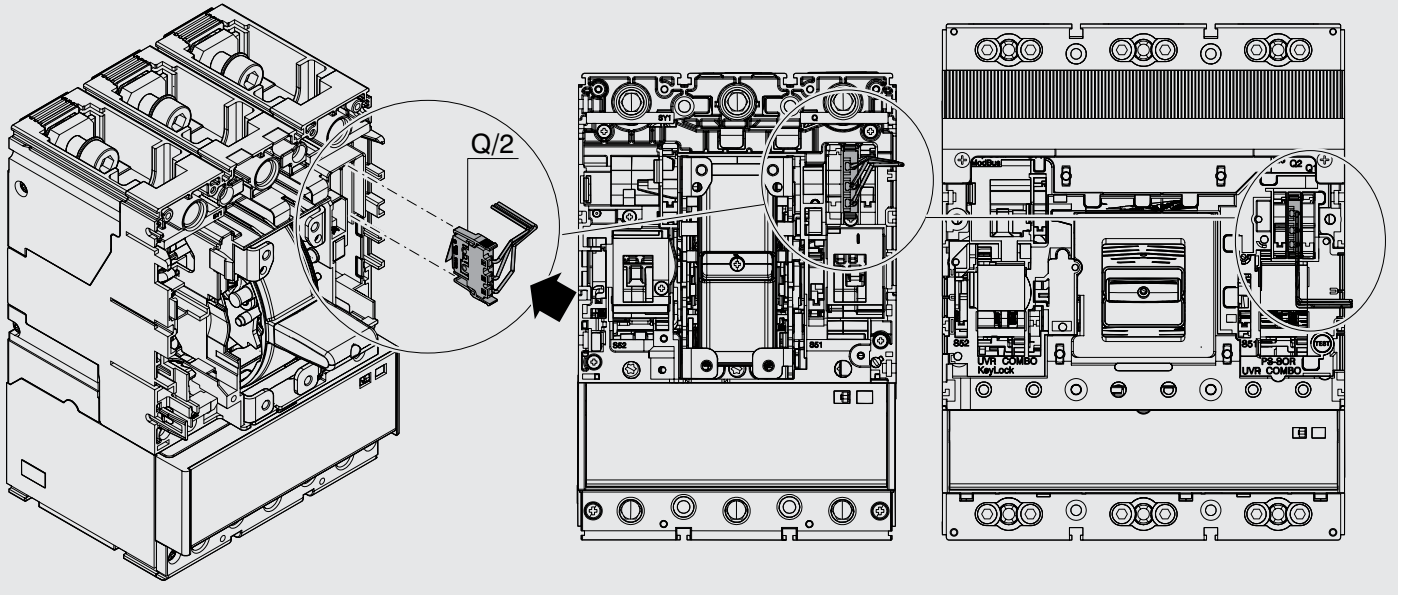
6

XT6



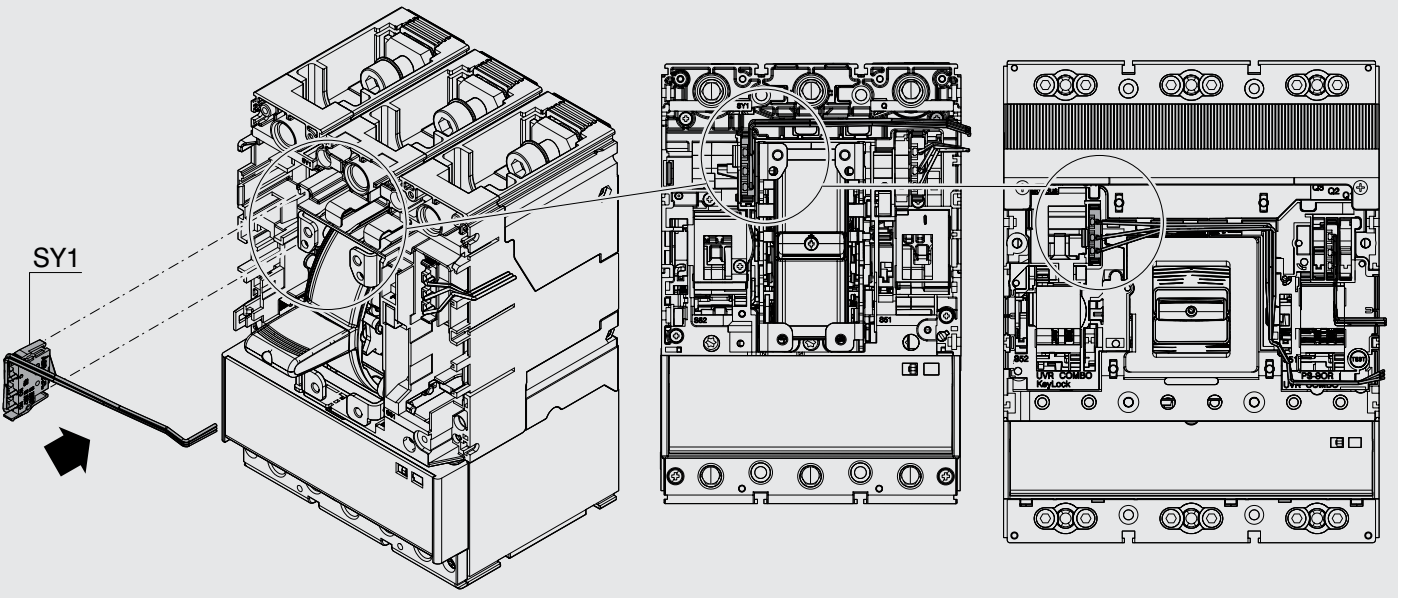
7

Example with Q/2 on XT5-XT6 (3p-4p)



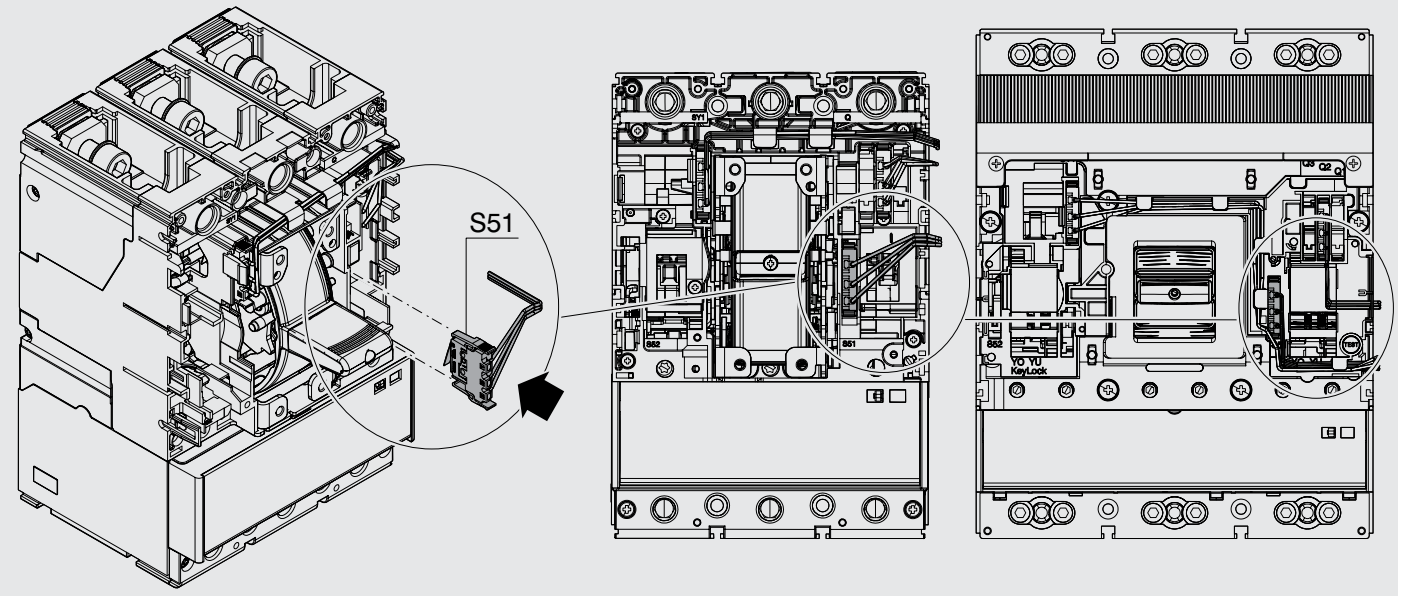
8

Example with SY/1 on XT5-XT6 (3p-4p)



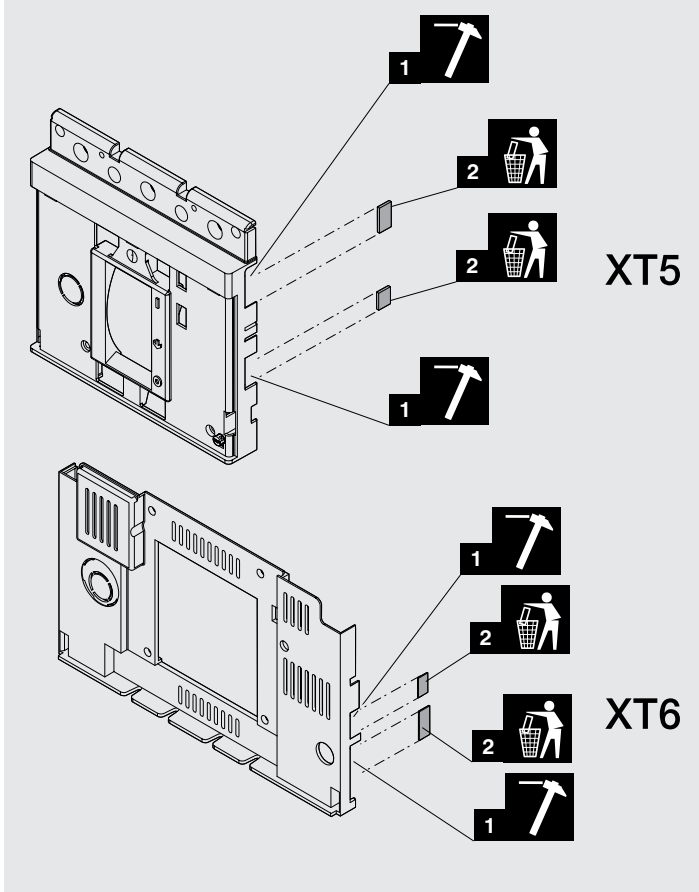
9

Example with S51 on XT5-XT6 (3p-4p)



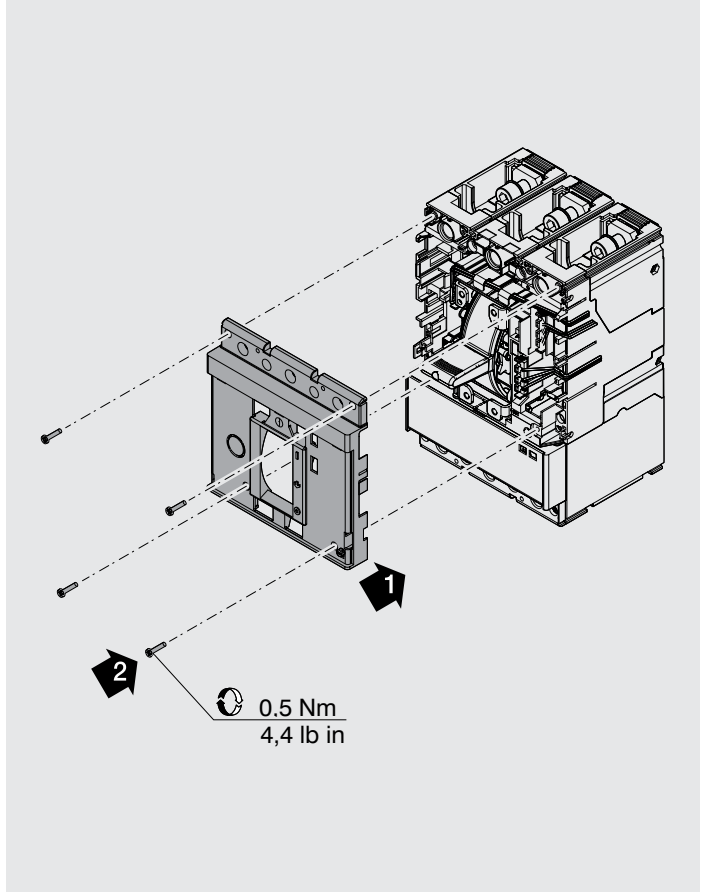
10

XT5-XT6



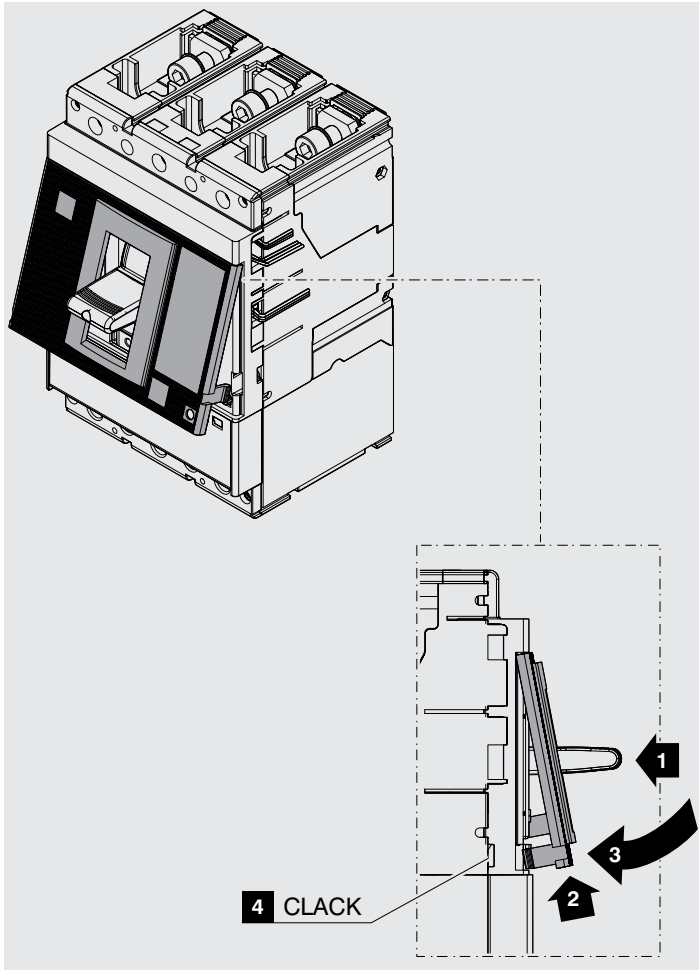
11

XT5



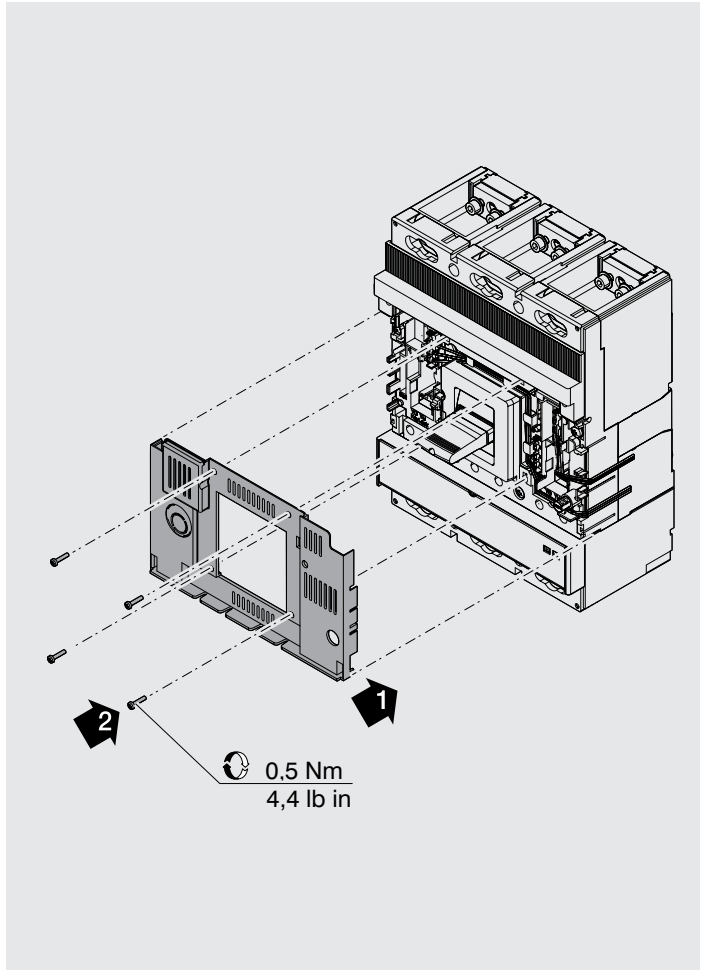
12

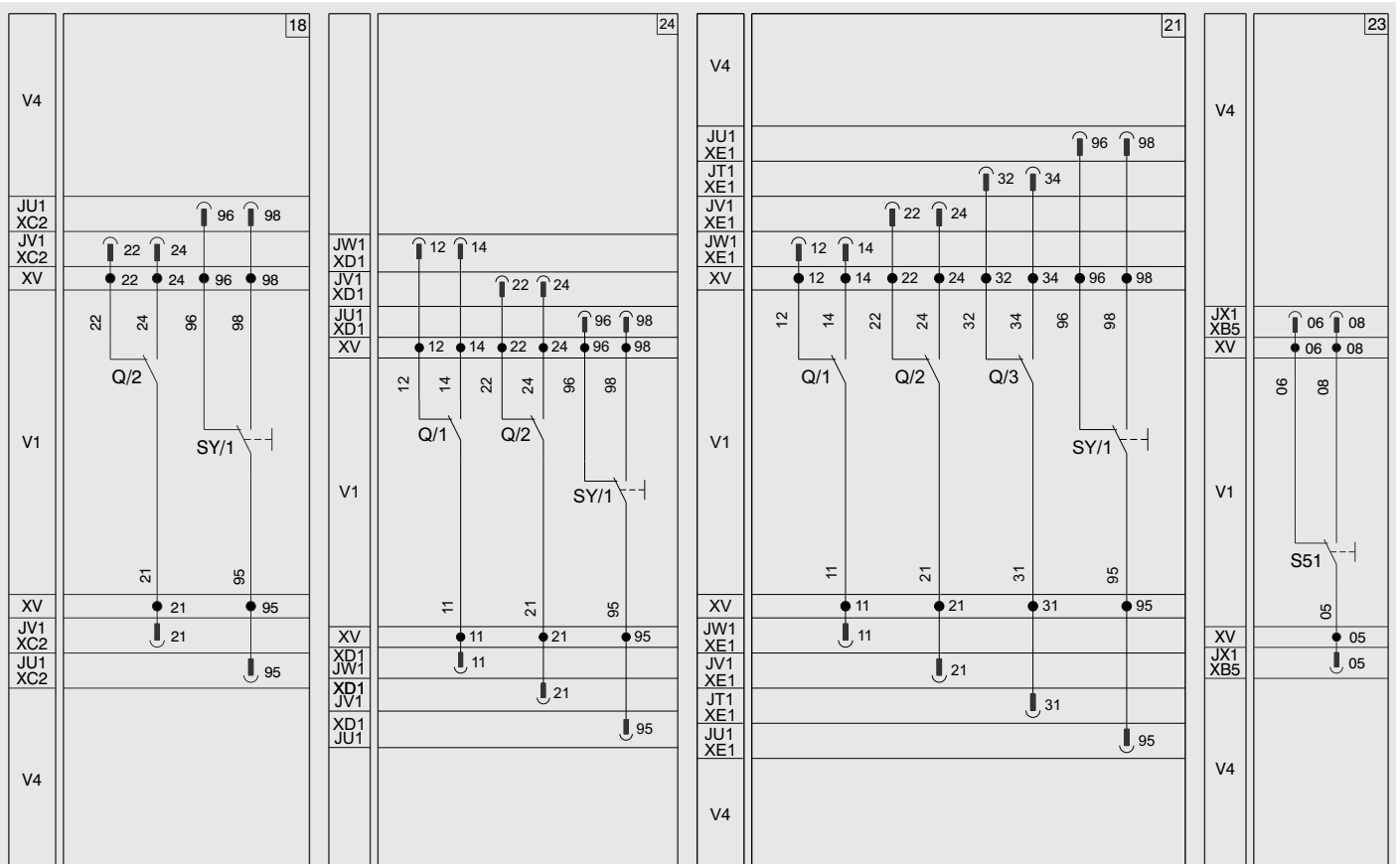
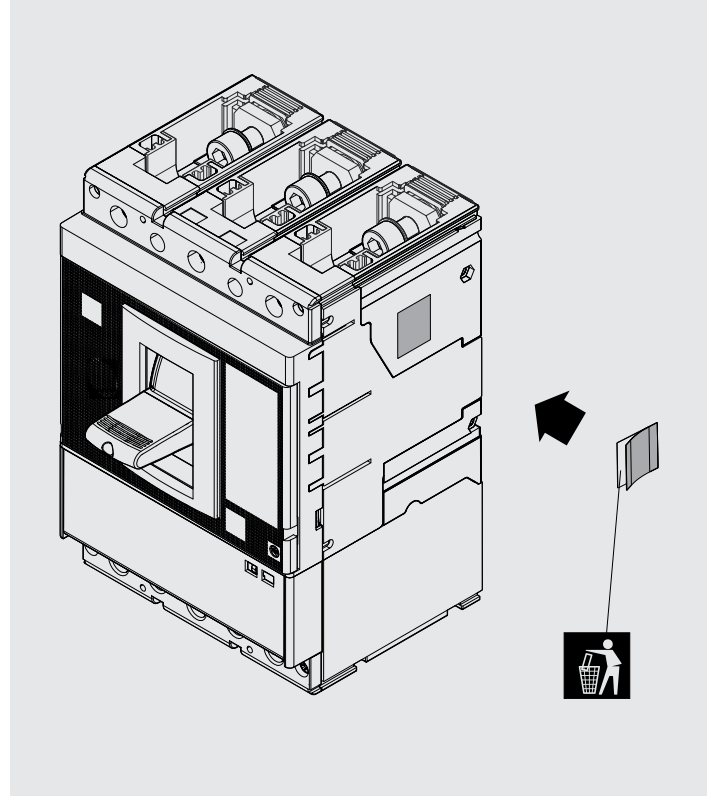
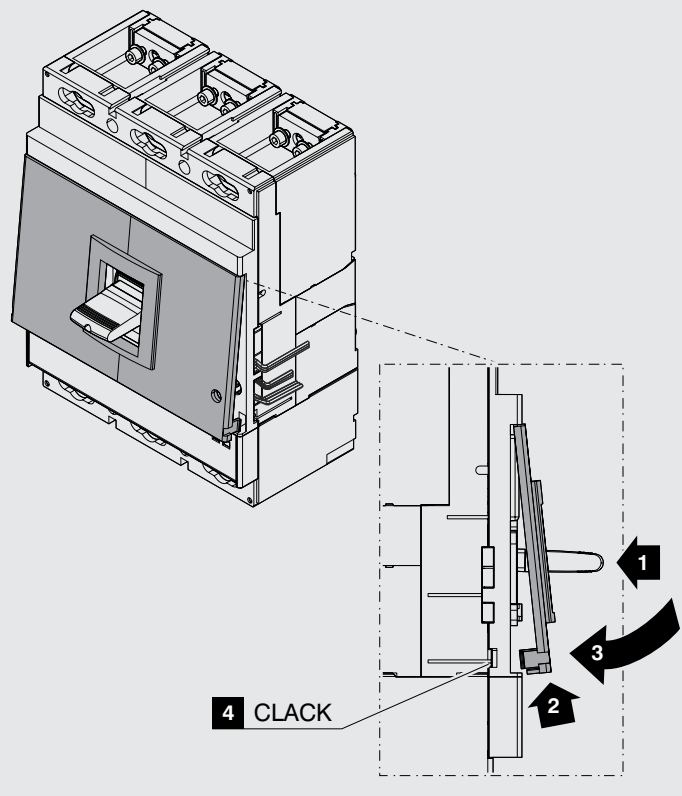
XT5



13

XT6





Per ulteriori informazioni vedere:
 For further details consult:
 Für weitere Informationen siehe:
 Pour plus d'informations voir:
 Para más información véase:
 有关更多信息请参考:

1SDM00005A1001