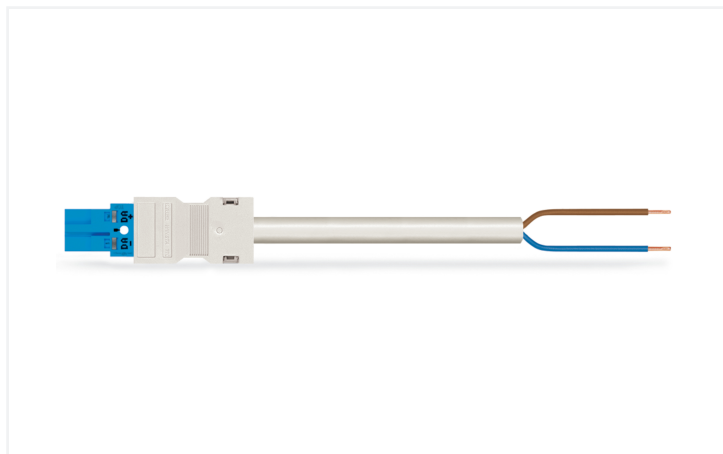


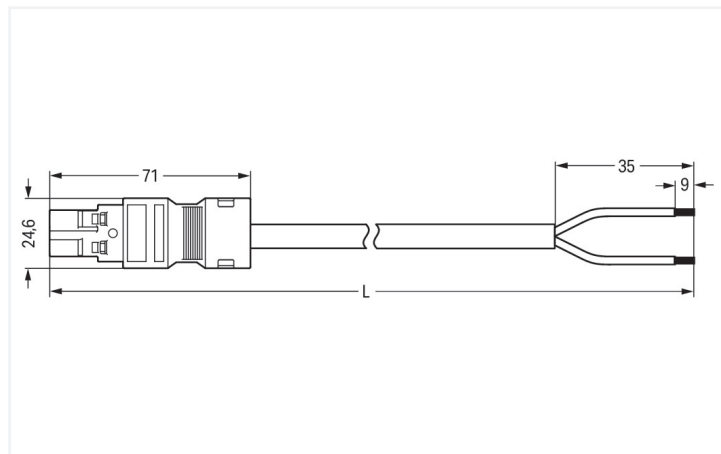
Data Sheet | Item Number: 771-8982/206-502

pre-assembled connecting cable; Eca; Plug/open-ended; 2-pole; Cod. I; H05VV-F 2 x 1.5 mm²; 5 m; 1,50 mm²; blue

<https://www.wago.com/771-8982/206-502>



Color: ■ blue



Dimensions in mm

Cable assembly WINSTA® MIDI with protection against mismatching

For power and signal transmission: The WINSTA® MIDI cable assembly 2-pole. Whether on PCBs, in control cabinets or for connecting lights – pluggable installation connectors from WAGO allow you to make connections according to various requirements in no time flat. The mechanical coding and color coding of the pluggable installation connector ensure error-free installation of the individual components – including protection against mismatching. The pluggable installation connector is protected against ingress by solid objects in accordance with protection type IP20 (When mated: IP2xC (These compact connectors are not designed for use in open, easily accessible areas!)). WINSTA® MIDI pluggable installation connectors with I coding in blue are particularly suitable for intelligent, for instance for the dimming of DALI lights. The WINSTA® MIDI Pluggable Connection System with Push-in CAGE CLAMP® spring pressure connection technology facilitates exemplary electrification. Due to the built-in test slot, connections can be checked even when they are plugged in. This saves time, labor, and money. This product meets all the relevant safety requirements of fire class E; therefore it can be used in areas where fire safety is relevant.

Fast, secure pluggable connections – cable assemblies from WAGO

The cable assembly is provided with a plug and a free end. The WINSTA® Pluggable Connection System allows pluggable electrical installation. This saves time, lowers costs, and reduces the need for servicing. Take advantage of the pluggable version of our maintenance-free spring pressure connection technology too! Plan your installation with with protection type IP20 from WAGO.

- pluggable installation connectors with protection against mismatching
- pre-assembled versions
- with I coding for use in building automation (lighting control)
- ready for immediate use
- rapid, structured electrical installation

Notes

Note

Cables with a different fire class can be found in the eShop.

Electrical data

| Ratings per | IEC/EN 60664-1 | | |
|---------------------------------|----------------|-----|----|
| Overvoltage category | III | III | II |
| Pollution degree | 3 | 2 | 2 |
| Nominal voltage | 250 V | - | - |
| Rated impulse withstand voltage | 4 kV | - | - |
| Rated current | 16 A | - | - |

General information

| | |
|----------------------------|--|
| Note on contact resistance | approx. 1 mΩ of contact resistance approx. 0.25 mΩ contact transition plug/ socket |
|----------------------------|--|

Connection Data

| | |
|----------------------------|---------------------------|
| Total number of potentials | 2 |
| Conductor preparation | ultrasonically tip-bonded |

Connection 1

| | |
|---------------------------------|---------------------|
| Strip length | 9 mm / 0.35 inches |
| Pole number | 2 |
| Wire cross-section | 1.5 mm ² |
| Strip length (outer insulation) | 35 mm |
| Connection type | Plug - free end |

Physical data

| | |
|--------------|------------------------|
| Pin spacing | 10 mm / 0.394 inches |
| Width | 24.6 mm / 0.969 inches |
| Height | 15.9 mm / 0.626 inches |
| Total length | 5 m |

Mechanical data

| | |
|---|---|
| Use | DALI, Lighting Management |
| Coding | I |
| Variable coding | No |
| Marking | DA+ DA- |
| Potential marking | DA+ DA- |
| Mating force of a plug-in connection | approx. 20 ... 70 N (depending on pole number) |
| Retention force of a plug-in connection | when locked: > 80N |
| Unmating force of a plug-in connection | when unlocked: approx. 20 ... 70 N (depending on pole number) |
| Number of mating cycles | 200, without resistive load |
| Connection type | Plug - free end |
| Type of pre-assembled cable | Connecting cable |
| Cable type | H05VV-F 2x1.5 |
| Protection type | IP20; When mated: IP2xC (These compact connectors are not designed for use in open, easily accessible areas!) |

Plug-in connection

| | |
|-------------------------------|--|
| Mismating protection | Yes |
| Note on mismating protection | All <i>WINSTA</i> ® components are 100% protected against mismating when: a.) plugging different numbers of poles b.) plugging while rotated 180 c.) plugging while laterally staggered d.) plugging one pole |
| Locking lever | Can be retrofitted |
| Locking of plug-in connection | Locking lever |
| Note on locking system | All connectors for mounted installations (snap-in versions for lighting fixtures or devices, all types of PCB and distribution connectors) are factory-equipped with locking levers to ensure plugs and sockets are securely locked. Additional locking levers are only required for flying leads (plug/socket). |

Material data

| | |
|------------------------------------|--|
| Note (material data) | Information on material specifications can be found here |
| Color | blue |
| Insulation material (main housing) | Polyamide (PA66) |
| Flammability class per UL94 | V0 |
| Fire class per EN 50575 | E _{ca} |
| Contact material | Copper or copper alloy; surface-treated |
| Contact Plating | Tin |
| Fire load | 149.69 MJ |
| Connector color | blue |
| Strain relief color | white |
| Sheathed cable color | white |
| Printing color of sheathed cable | black |
| Halogen-free | No |
| Silicon-free | Yes |
| Sheath material | PVC |
| Rubber cable | No |
| Weight | 421.2 g |
| Copper weight of the raw cable | 0.029 kg/m |

Environmental requirements

| | |
|--|---|
| Processing temperature | -5 ... +40 °C |
| Continuous operating temperature | -35 ... +85 °C |
| Note on continuous operating temperature | Cable for temperatures ≤ 70 °C (including halogen-free) Insulating parts for temperatures ≤ 105 °C |

Commercial data

| | |
|-----------------------|---------------|
| PU (SPU) | 1 pcs |
| Packaging type | unpacked |
| Country of origin | DE |
| GTIN | 4055143471626 |
| Customs tariff number | 85444290900 |

Product Classification

| | |
|-------------|----------------------|
| UNSPSC | 26121629 |
| eCl@ss 10.0 | 27-44-06-04 |
| eCl@ss 9.0 | 27-44-06-04 |
| ETIM 9.0 | EC002587 |
| ETIM 10.0 | EC002587 |
| ECCN | NO US CLASSIFICATION |

Environmental Product Compliance

| | |
|------------------------|-------------------------|
| RoHS Compliance Status | Compliant, No Exemption |
|------------------------|-------------------------|

Approvals / Certificates

General approvals



| Approval | Standard | Certificate Name |
|---------------------------------------|----------|------------------|
| CCA DEKRA Certification B.V. | EN 61535 | NTR NL-7355 |
| KEMA/KEUR DEKRA Certification B.V. | EN 61535 | 71-123834 |

Declarations of conformity and manufacturer's declarations

| Approval | Standard | Certificate Name |
|---|----------|------------------|
| EU-Declaration of Confor- mity WAGO GmbH & Co. KG | - | - |
| UK-Declaration of Confor- mity WAGO GmbH & Co. KG | - | - |

Downloads

Environmental Product Compliance

| Compliance Search | |
|---|-------------------|
| Environmental Product Compliance 771-8982/206-502 | ↓ |

Documentation

| Bid Text | | | |
|------------------|------------|-----------------|-------------------|
| 771-8982/206-502 | 19.02.2019 | xml 3.02 KB | ↓ |
| 771-8982/206-502 | 03.12.2014 | doc 25.50 KB | ↓ |

CAD/CAE-Data

| CAE data | |
|------------------------------------|-------------------|
| WSCAD Universe 771-8982/206-502 | ↓ |

1 Compatible Products

1.1 Required Accessories

1.1.1 Locking system

1.1.1.1 Locking system

| | | | |
|--|--|--|--|
| | | | |
| <p>Item No.: 770-101 Locking lever; for flying leads; for manual operation; black</p> | <p>Item No.: 770-121 Locking lever; for flying leads; for manual operation; white</p> | <p>Item No.: 770-111 Locking lever; for flying leads; for tool operation; black</p> | <p>Item No.: 770-131 Locking lever; for flying leads; for tool operation; white</p> |

1.2 Optional Accessories

1.2.1 Cover

1.2.1.1 Cover



Item No.: 770-360

Lockout cap; for plugs; 5-pole; separable; yellow



Item No.: 897-2003

Protective cap; Type2; for sockets and plugs; PVC; red

1.2.2 Installation

1.2.2.1 Mounting accessories



Item No.: 770-310

Mounting carrier; 2- to 5-pole; for flying leads; black

1.2.3 Marking

1.2.3.1 Marking strip



Item No.: 210-334

Marking strips; as a DIN A4 sheet; Strip width 5 mm; Strip length 182 mm; plain; Self-adhesive; white