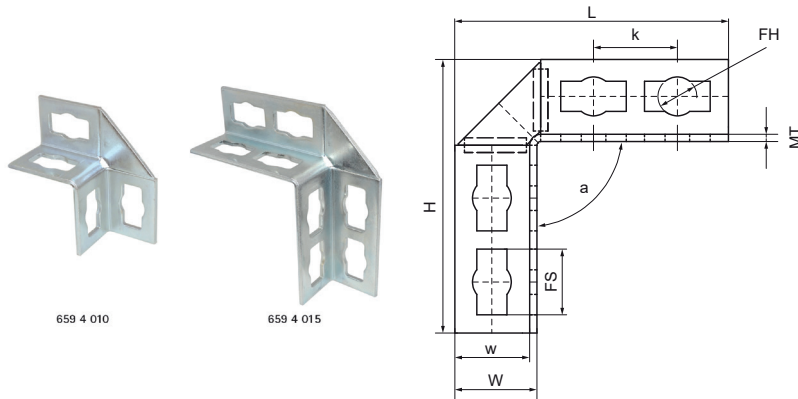


## Walraven PushStrut Connector 90°

(H2920)

for easy installation of complex rail constructions



### Features & benefits

- easily combined with all common Walraven RapidStrut® profiles
- lateral edges offers great stability
- flexible use of hole pattern (flexible twist of hole pattern possible)
- timesaving and flexible
- easy to remove and reusable
- 3D constructions due to 3D Connectors
- material: steel
- zinc plated

Product Number	For Rail Type	Angle	Total Height	Total Width	Total Length	Material Thickness	Width	Fixing Hole	Fixing Slot	Heart To Heart Distance	Torque Moment For Installation
Reference letter		$\alpha$	H	W	L	MT	w	FH	FS	k	T <sub>inst.</sub>
Unit description		°	mm	mm	mm	mm	mm	mm	mm	mm	Nm
6594010	41x21, 41x41, 41x51, 41x62, 41x82	90	103	45	103	4.00	41	21.3	36x16,5		40
6594015	41x21, 41x41, 41x51, 41x62, 41x82	90	150	45	150	4.00	41	21.3	36x16,5	46	40