

36 712 361 Product version from 7/3/2016



- 190mm projection
- fixed spout
- circular, air-enriched flow
- hole diameter valve 35 mm
- hole diameter spout 35 mm
- slide-on rosettes Ø 55 mm
- max. flow 7 l/min
- lead-free
- This product can help a building meet the requirements of Green Building Rating Systems, e.g. LEED®, BREEAM®, DGNB

	Durabronze (23kt Gold)	36 712 361-09
	Chrome	36 712 361-00
	Brushed Platinum	36 712 361-06
	Platinum	36 712 361-08
	Brushed Durabronze (23kt Gold)	36 712 361-28
	Brushed Gold (PVD)	36 712 361-37
	Brushed Dark Brass (PVD)	36 712 361-39
	Brushed Bronze (PVD)	36 712 361-42
	Brushed Dark Platinum	36 712 361-99

**Required miscellaneous**



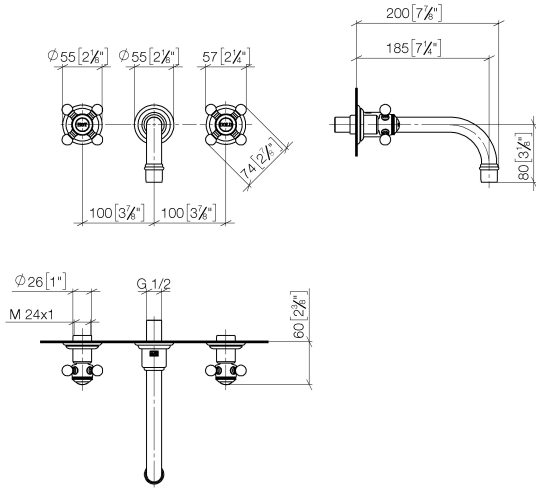
- Concealed wall-mounted mixer centred spout -** 35 700 970 90
- min. recess depth 85 mm
  - max. recess depth 145 mm

**Required miscellaneous**



- Concealed wall-mounted mixer variable positioning -** 35 720 970 90
- min. recess depth 85 mm
  - max. recess depth 145 mm

36 712 361 Product version from 7/3/2016  
mm [inches]



**Flow rate chart**



**Codes & Standards**

DIN 4109

ISO 3822

Scottish Water  
Byelaws

UK Water Supply  
Regulations

**Ü-Zeichen**



MADISON Wall-mounted basin mixer without pop-up waste - Durabronss (23kt Gold)

MADISON

---

36 712 361 Product version from 7/3/2016

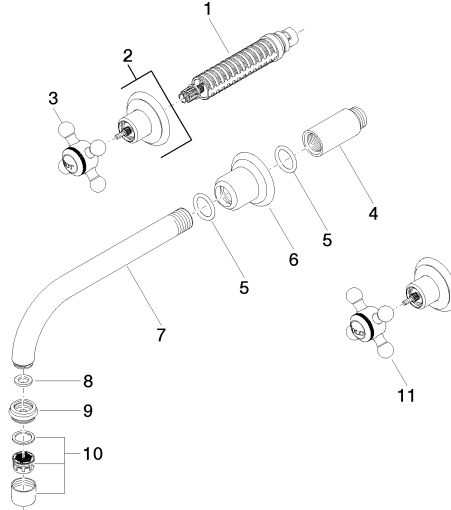
Certificates and sustainability

---

LGA\_19

WRAS\_250402

EPD-DOR-20230287  
-IBA1-EN  
Environmental.prod  
uct-declarat



98 712 361-FF

### Spare parts list

No.	Item Number	Name	Quantity used	Delivery time
4	09 24 03 081 10 90	Extension 1/2" x 50 mm -	1.00	14
9	09 24 03 022 10-09	Nipple M22 x1 x 18 x 1 - Durabronss (23kt Gold)	1.00	54
2	36 310 361-09	MADISON Wall valve - Durabronss (23kt Gold)	2.00	-
Spare part can no longer be ordered, please order the replacement item				
10	90 23 01 119 02-09	Aerator M22x1-IG 7,0 l/min. - Durabronss (23kt Gold)	1.00	54
8	90 14 05 020 00 90	Washer 16,7 x 10,0 x 2,0 mm -	1.00	14
11	04 20 36 100 00-09	Handle Cold 57 x 57 x 34 mm - Durabronss (23kt Gold)	1.00	54
6	09 27 36 010-09	Rosette Ø 55 x 40 mm - Durabronss (23kt Gold)	1.00	54
1	90 90 03 157 00 90	Head part clockwise closing 1/2" -	2.00	14
7	04 28 22 090 10-09	Spout 190 mm - Durabronss (23kt Gold)	1.00	54
5	90 14 10 026 00 90	O-Ring 20,5 x 3,5 mm -	1.00	14
3	04 20 36 100 01-09	Handle Hot 57 x 57 x 34 mm - Durabronss (23kt Gold)	1.00	54