



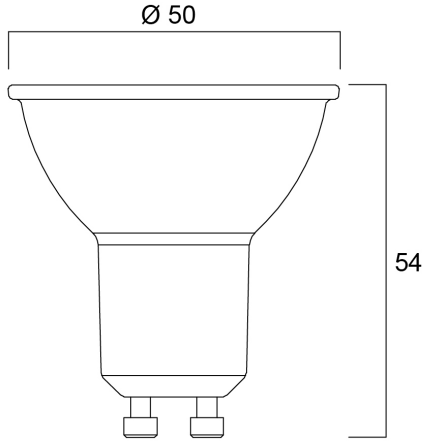
Features

- Compact, energy efficient and exceptional value LED GU10 lamp Same shape and size as halogen GU10 lamp Compact Cluster SMD technology enabling high efficiency with halogen look Reduced visible heat sink from the front Available in 36 degree beam angle High lumen efficacy 15,000 hours average rated life 3 years warranty

Product Overview

| | |
|---------------------------------|---------------------------------|
| Product name | RefLED ES50 V6 345LM 840 36 SL5 |
| Technology | LED |
| Watt (Rated) (W) | 4.2 |
| Cap/Base | GU10 |
| Fixture rating | Open |
| Colour temperature (K) | 4000 |
| CRI (Ra) | 80 |
| Colour Consistency (SDCM) | 6 |
| Colour Variation Initial (SDCM) | 6 |
| Photobiological Risk Group | RG1 |
| Wattage (W) | 4.2 |
| Product EAN number | 5410288291680 |
| Warranty | 3 years |

Technical drawings



Data table

GENERAL DATA

| | |
|---|---------------------------------|
| Product name | RefLED ES50 V6 345LM 840 36 SL5 |
| Technology | LED |
| Watt (Rated) (W) | 4.2 |
| Cap/Base | GU10 |
| Fixture rating | Open |
| Operating temperature range (°C) | -20°C...+40°C |
| Performance ambient temperature Tq (°C) | 25 |
| Warranty | 3 years |

OPTICAL DATA

| | |
|---------------------------------|------|
| Colour temperature (K) | 4000 |
| CRI (Ra) | 80 |
| Colour Consistency (SDCM) | 6 |
| Colour Variation Initial (SDCM) | 6 |

RefLED ES50 V6 345LM 840 36 SL5 0029168

| | |
|--|-----|
| Luminous Intensity (cd) | 770 |
| Photobiological Risk Group | RG1 |
| Lumen maintenance at end of nominal life (%) | 70 |

ELECTRICAL DATA

| | |
|--|---------|
| Wattage (W) | 4.2 |
| Equivalent watt (W) | 50 |
| Primary Supply/Product voltage - min (V) | 220 |
| Control gear required | No |
| Inrush Current (A) | 3.9 |
| Inrush Duration (µs) | 4100 |
| Lamp Energy Label (class) | F |
| Nominal Frequency (Hz) | 50/60Hz |

LIFETIME DATA

| | |
|--------------------------|-------|
| Lifespan L70 B50 | 15000 |
| Average life (Rated) (h) | 15000 |

PHYSICAL DATA

| | |
|-------------------------------|------|
| Nominal Product Diameter (mm) | 50 |
| Weight (kg) | 0.18 |

PACKAGING

| | |
|--------------------------------------|----------------|
| Single packaging type | Carton |
| Product EAN number | 5410288291680 |
| Packaging single width (cm) | 19.5 |
| Packaging single depth (cm) | 5.1 |
| DUN14 (outer) | 15410288291687 |
| Packaging outer length / height (cm) | 9.2 |

SAFETY DATA

| | |
|----------------------------------|--------|
| Optimal operating condition (°C) | -20-40 |
|----------------------------------|--------|

SYLVANIA

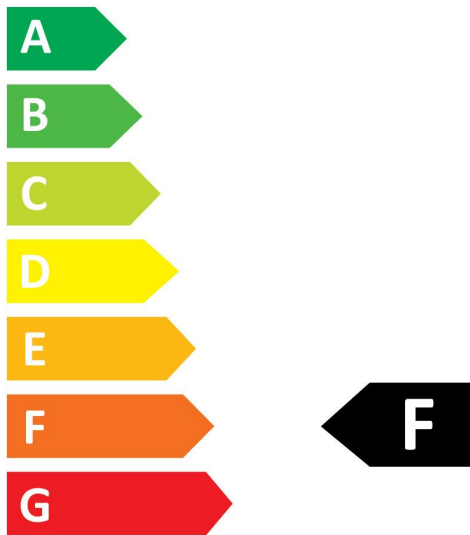
RefLED ES50 V6 345LM 840 36 SL5
0029168

| | |
|-------------------------------------|--|
| Breakage cleaning instructions | Not applicable |
| Special purpose lamp | No |
| Dry applications use only | No |
| Suitable for household illumination | No |
| Safety message | Not Suitable for totally enclosed fixtures |

Energy label



0029168



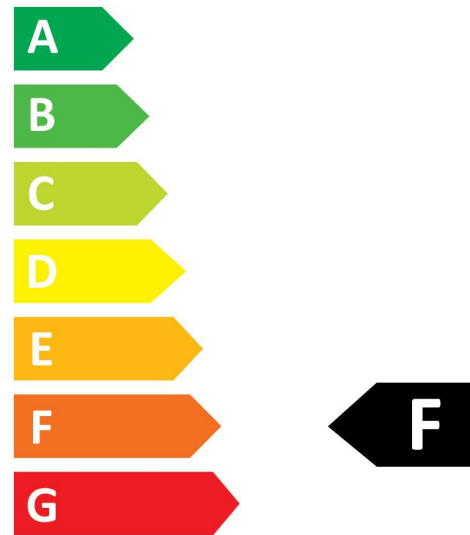
5
kWh/1000h



2019/2015



0029168



5
kWh/1000h



2019/2015