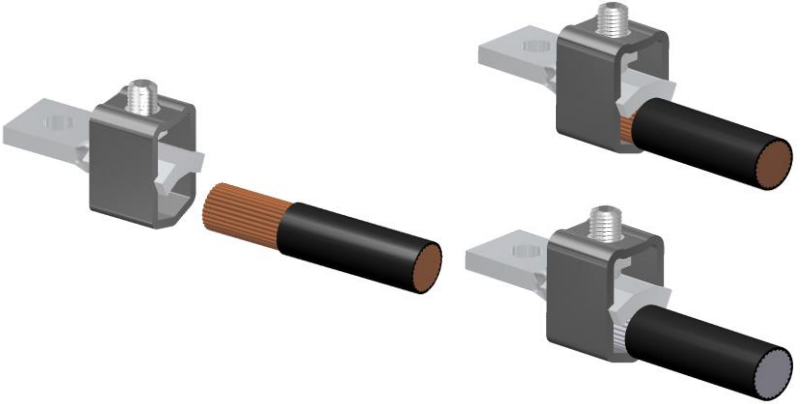
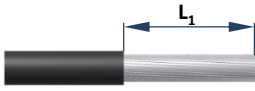
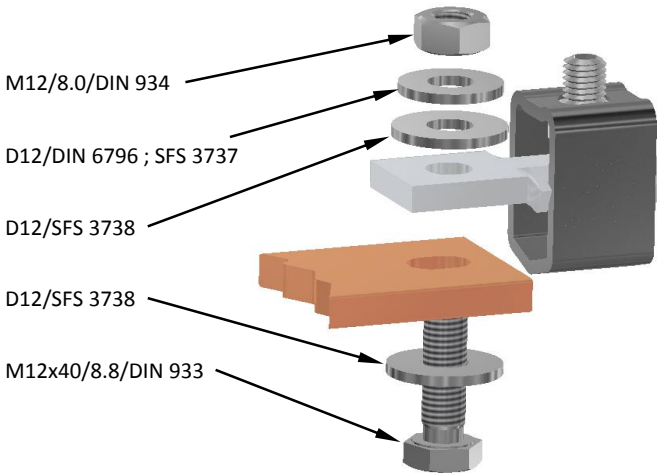
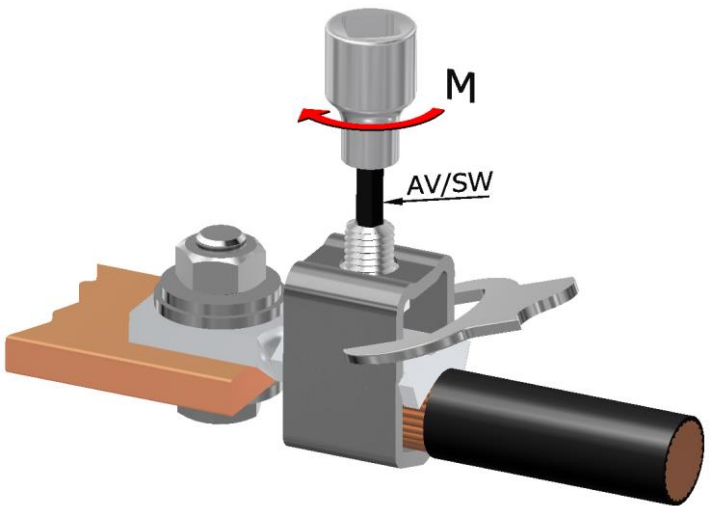


Product data							
Product code	Product name			$I_{n\ Al}$	$I_{n\ Cu}$	U_n	
VC01-0001	OL 185-300			560 A	560	-	
				$I_{max\ Al}$	$I_{max\ Cu}$	U_{max}	
				-	-	-	
Installation							
Type	Screw M12						
<p>OL-Connectors are suitable for Aluminium- and Copper conductors.</p> <p>The conductor is mounted under tin plated copper busbar. See picture -></p> <p>- Strip cable, see stripping length L_1 (table below)</p> <p>- Remove any layer of oxide.</p> <p>- Segmental conductors have to be rounded before mounting.</p>							
Connection							
Screw head for tool	SW	6 mm	Conductors	1xAl/Cu 185-300 mm²			
Tightening torque M	185-300 mm ²	70 Nm	Stripping length	L_1 40±2 mm			
	-	-					
	-	-					
	-	-					
							
<p>Mounting to busbar:</p> <ul style="list-style-type: none"> - Be sure that, there are no burrs around the hole. - Length of the screw depends on the busbar thickness. - Use standard screws, nuts and washers. (Plated with Zn) - Recommended torque for M12 is 50-75 Nm 				<ul style="list-style-type: none"> - Tighten the screw with torque M - Support connector during tightening. 			
Wiring, pcs / connection, Cu(Al)							
1,5 mm ²	2,5 mm ²	6 mm ²	10 mm ²	16 mm ²	25 mm ²	35 mm ²	50 mm ²
-	-	-	-	-	-	-	-
70 mm ²	95 mm ²	120 mm ²	150 mm ²	185 mm ²	240 mm ²	300 mm ²	400 mm ²
-	-	-	-	1(1)	1(1)	1(1)	-

Ouneva Oy

Teollisuustie 21
FI-82730 Tuupovaara
Finland

Tel. +358 400 179 750
info@ouneva.fi

www.ounevagroup.fi
www.ounevaproducts.fi