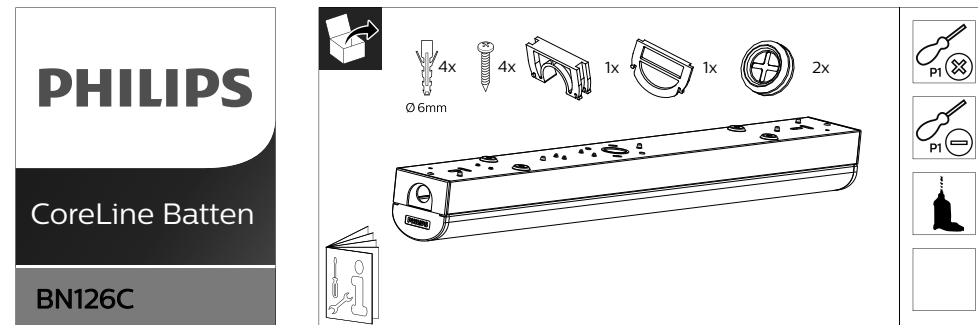
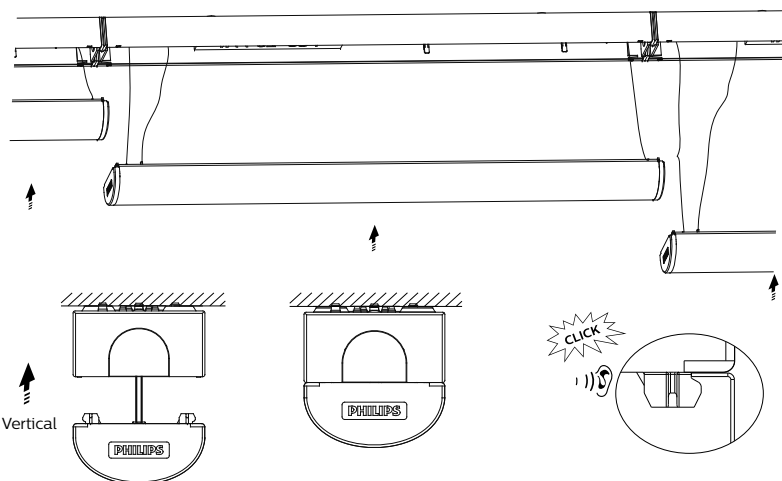
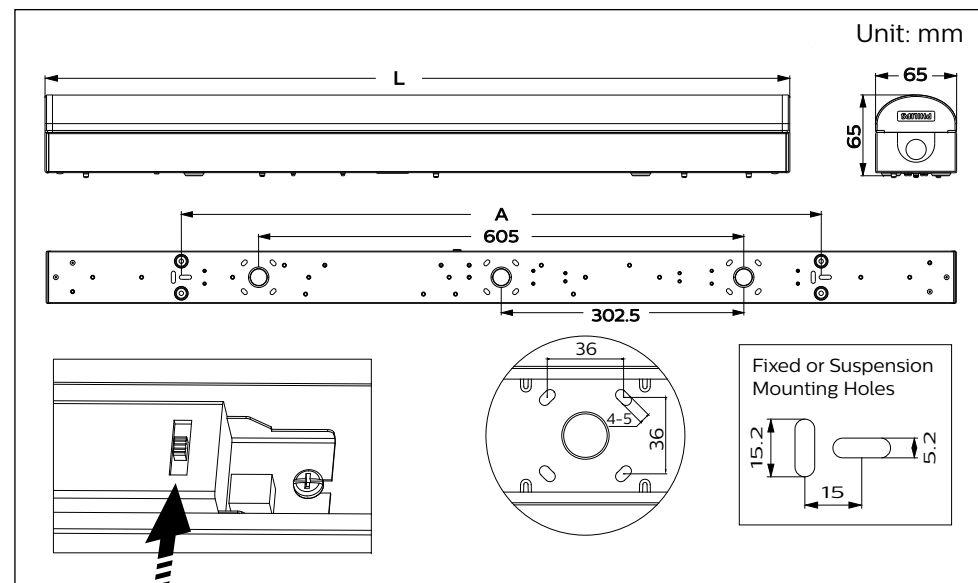


8

max. number of connected luminaire(see Inrush current table)



Type	Energy efficiency class	P (W)	A (mm)	L (mm)	kg
BN126C LED25_41_64S/840 PSU L1200	E	19/30/48	798	1135	1.01
BN126C LED35_52_80S/840 PSU L1500	E	24.5/38/59	798	1450	1.27

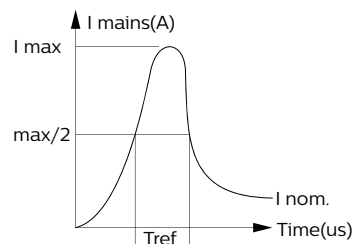


**MultiLumen switch (3-in-1) - option.**  
Please switch off the mains before changing the lumens.  
See the lower left table.

Type	Lumen output	power	Factory setting
L1200	2500lm	19W	
	4100lm	30W	✓
	6400lm	48W	
L1500	3500lm	24.5W	
	5200lm	38W	✓
	8000lm	59W	

Life time table	
L85 50k hrs	All
L80 75k hrs	5200-6400lm
L70 up to 100K hrs	2500-4100lm

**Inrush current**



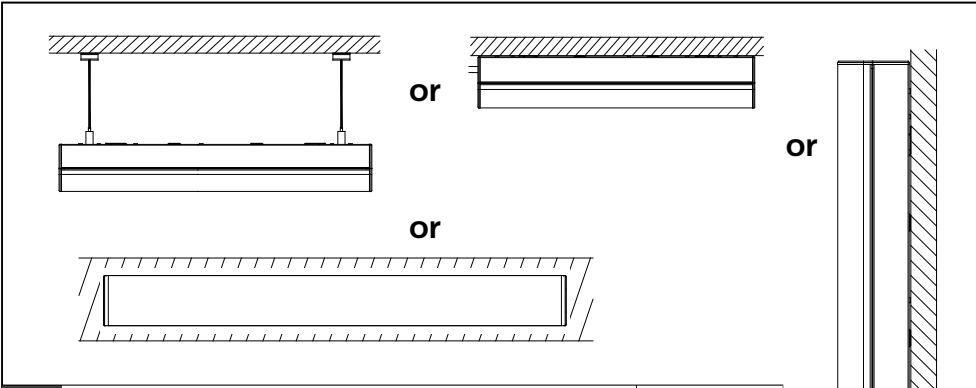
	L1200			L1500		
	LED25S	LED41S	LED64S	LED35S	LED52S	LED80S
Electrical characteristics						
Inom (mA)	80	140	220	115	180	260
Imax (A)	8.3	11.6	14.4	10	10.6	15.7
Tref (µs)	332	499	579	508	527	678
MCB Luminaire Max.						
B-10 A	19	11	8	12	11	6
B-16 A	25	13	9	16	13	8
C-10 A	24	13	10	16	14	8
C-16 A	38	22	16	25	23	14

**Optional**

Installation Mode	Suspension
12NC	911401776802
Description	BN126Z SC
Short EOC	36574999



Signify Holding.  
All rights reserved. This document contains information relating to the product portfolio of Signify which information may be subject to change. No representation or warranty as to the accuracy or completeness of the information included herein is given and any liability for any action in reliance thereon is disclaimed. The information presented in this document is not intended as any commercial offer and does not form part of any quotation or contract. Philips and the Philips Shield Emblem are registered trademarks of Koninklijke Philips N.V.. All other trademarks are owned by Signify Holding or their respective owners.



**⚠** -The luminaire shall be installed by a qualified electrician and wired in accordance with the latest IEE electrical regulations or the national requirements.

- The light source of this luminaire is not replaceable; when the light source reaches its end of life the whole luminaire shall be replaced.
- Luminaire must not be used or stored in corrosive environment where hazardous materials such as sulphur, chlorine, phthalates, etc, are present.
- This luminaire is not suitable for use as emergency lighting.
- Water entering into IP20 luminaire is strictly prohibited. IP20 luminaire is not protected against wet condition, water ingress may cause electrical failure or unsafe conditions.
- Luminaire is rated at IP40 from the front (part 1) and IP20 for a complete housing (part 2).

ATTENTION  
OBSERVE PRECAUTIONS  
FOR HANDLING  
ELECTROSTATIC  
SENSITIVE  
DEVICES

### 1: Luminaire opening

Part 1  
Part 2

### 2.1: Surface Mounted

Ø5.5

### 2.2: Suspend Mounted

Ø5.5

### 2.3: Mounted on a BESA

BESA: 3x L1200/ L1500

BESA  
4x

### 3: Wiring from end hole (side)

Brown (L2) 35  
8 20  
Applicable to Emergency Un-Switched Black (L1)   
Yellow - green (PE)   
Blue (N)

Optional   
push down  
push down  
push down  
push down

H05RN-F  
Min. 3x1,0mm<sup>2</sup>  
Max. 3x2,5mm<sup>2</sup>  
Ø7-Ø12mm

### 3.1: Wiring from back entry

push down  
push down  
push down

### 4: TW/ Loop in / Light-line creation (Optional)

### 5: Light-line creation (Optional)

1x 2x nx

max. number of connected luminaire (see Inrush current table)

### 6: TW / Loop in / Light-line creation (Optional)

The power cord is not included in the luminaire

Last one

### 7

The end face of the first luminaire and the last luminaire