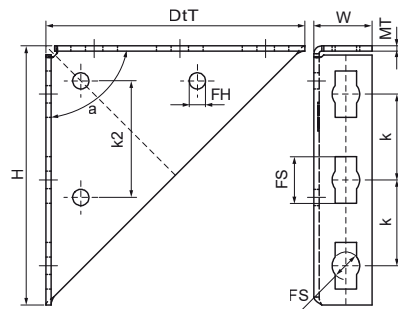
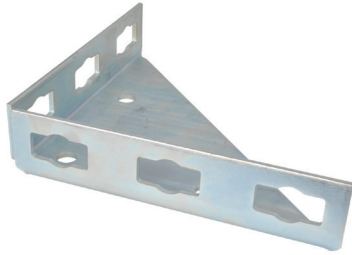


Walraven PushStrut Construction Bracket Q (zp)

(H2915)

for easy installation of complex rail constructions



Features & benefits

- easily combined with all common Walraven RapidStrut® profiles
- stable rail connection due to fixing to the building
- timesaving and flexible
- easy to remove and reusable
- 3D constructions due to 3D Connectors
- material: steel
- zinc plated

Product Number	Total Height	Total Width	Total Depth	Fixing Hole	Fixing Slot	Heart To Heart Distance	Material Thickness	Angle
Reference letter	H	W	DtT	FH	FS	k	MT	a
Unit description	mm	mm	mm	mm	mm	mm	mm	°
6594025	45	200	200	21	36x16,5	66.25	4.00	90