

**Optional**

Installation Mode	Suspension
12NC	911401776802
Description	BN126Z SC
Short EOC	36574999

Suspension Wire: 1m  
See step 2.2 for installation

Signify Holding.  
All rights reserved. This document contains information relating to the product portfolio of Signify which information may be subject to change. No representation or warranty as to the accuracy or completeness of the information included herein is given and any liability for any action in reliance thereon is disclaimed. The information presented in this document is not intended as any commercial offer and does not form part of any quotation or contract. Philips and the Philips Shield Emblem are registered trademarks of Koninklijke Philips N.V.. All other trademarks are owned by Signify Holding or their respective owners.

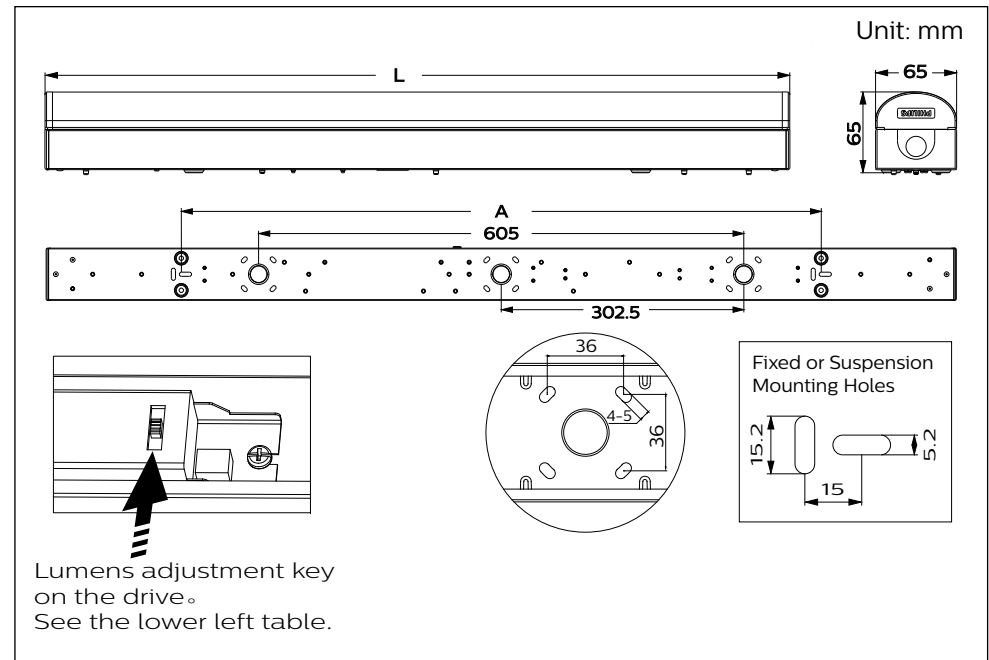
**PHILIPS**

CoreLine Batten

BN126C

CE Indoor Life L80B50 up to 100K hrs 220V 240V 50Hz 60Hz IK04 IP20 Max 40°C Mini 0 -20°C Ta 25°C UK CA

Type	Energy efficiency class	P (W)	A (mm)	L (mm)	kg
BN126C LED25_41_64S/840 PSU L1200	E	19/30/48	798	1135	1.01
BN126C LED35_52_80S/840 PSU L1500	E	24.5/38/59	798	1450	1.27



Type	Lumen output	power	Factory setting
L1200	2500lm	19W	✓
	4100lm	30W	
	6400lm	48W	
L1500	3500lm	24.5W	✓
	5200lm	38W	
	8000lm	59W	

Life time table	
L80 100K hrs	2500-4100lm
	3500-5200lm
L80 50K hrs	6400lm
	8000lm

**!** -The luminaire shall be installed by a qualified electrician and wired in accordance with the latest IEE electrical regulations or the national requirements.

- The light source of this luminaire is not replaceable; when the light source reaches its end of life the whole luminaire shall be replaced.
- Luminaire must not be used or stored in corrosive environment where hazardous materials such as sulphur, chlorine, phthalates, etc., are present.
- This luminaire is not suitable for use as emergency lighting.
- Water entering into IP20 luminaire is strictly prohibited. IP20 luminaire is not protected against wet condition, water ingress may cause electrical failure or unsafe conditions.
- Luminaire is rated at IP40 from the front (part 1) and IP20 for a complete housing (part 2).

**ATTENTION**  
OBSERVE PRECAUTIONS  
FOR HANDLING  
ELECTROSTATIC  
SENSITIVE  
DEVICES

**1: Luminaire opening**

Part 1  
Part 2

0.5Nm

**2.1: Surface Mounted**

Ø5.5

0.5Nm

**2.2: Suspend Mounted**

Ø5.5

Plug all BESA holes in the housing

3x

0.5Nm

**2.3: Mounted on a BESA**

BESA: 3x L1200/ L1500

BESA 4x

0.5Nm

**3: Wiring from end hole (side)**

Brown, L ②  
Yellow - green ①  
Blue N ③

Applicable to Emergency Un-Switched Black

35  
8 20

H05RN-F  
Min. 3x1,0mm<sup>2</sup>  
Max. 3x2,5mm<sup>2</sup>  
Ø7-Ø12mm

Optional

push down

push down

**3.1: Wiring from back entry**

push down

push down

**4: TW/ Loop in / Light-line creation (Optional)**

0.5Nm

**5: Light-line creation (Optional)**

1x 2x nx

max. number of connected luminaire (see Inrush current table)

**6: TW / Loop in / Light-line creation (Optional)**

The power cord is not included in the luminaire

Last one

**7**

The end face of the first luminaire and the last luminaire