

**Product data**

Product code	<b>VC01-0013</b>	STK-code	<b>1912015</b>	EAN-code	<b>6410019120158</b>
Product name	OL25-150			ETIM class	<b>EC000897</b>
Wires	1xAl/Cu 25-150 mm <sup>2</sup>				

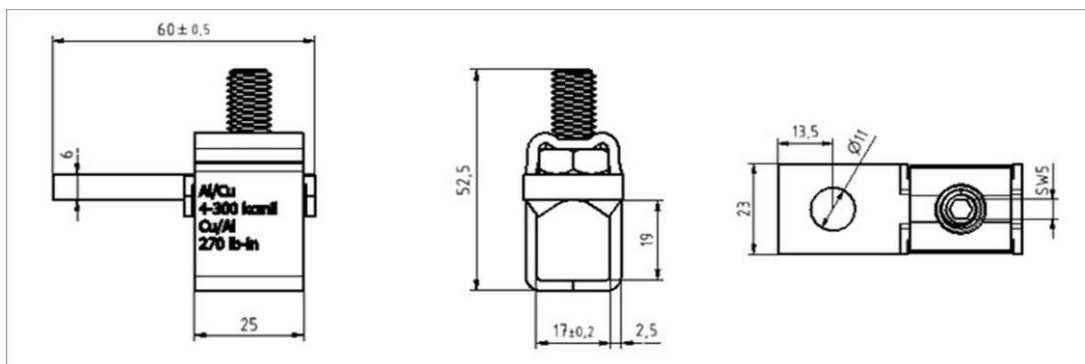
**Technical data**

Nominal current (IEC)	Cu	<b>285</b>	A
	Al	<b>230</b>	A
		-	
		-	
		-	
		-	
Number of poles		<b>1</b>	pcs
Max. Cross section		<b>150</b>	mm <sup>2</sup>
Tightening torque			
	25-150 mm <sup>2</sup>	<b>30</b>	Nm
		-	
		-	
		-	
Operating temperature		<b>80</b>	°C
Weight		<b>130</b>	g
		-	


 Color / Material **Stainless steel/ Tin plated copper**

 Mounting / Connection **Screw M10**
**Description**

OL-connectors are designed to be used connecting aluminium and copper conductors. Frames are made of stainless steel and busbars of tin plated copper.

**Drawing**

**Package**

Package	<b>Box</b>	Pcs / Package	<b>15</b>	Weight [kg]	<b>2,02</b>
Length [mm]	<b>85</b>	Width [mm]	<b>85</b>	Height [mm]	<b>144</b>

**Ouneva Oy**

Teollisuustie 21  
 FI-82730 Tuupovaara  
 Finland

[www.ounevagroup.fi](http://www.ounevagroup.fi)
[www.ounevaproducts.fi](http://www.ounevaproducts.fi)