

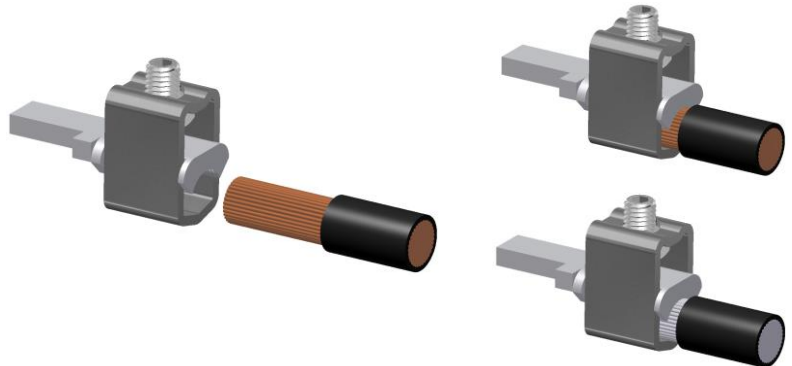
Product data					
Product code	Product name	$I_n$ Al	$I_n$ Cu	$U_n$	
VC01-0029	OL 25-95 T	320 A	320	-	
		$I_{max}$ Al	$I_{max}$ Cu	$U_{max}$	
		-	-	-	

Installation	
Type	Screw M8

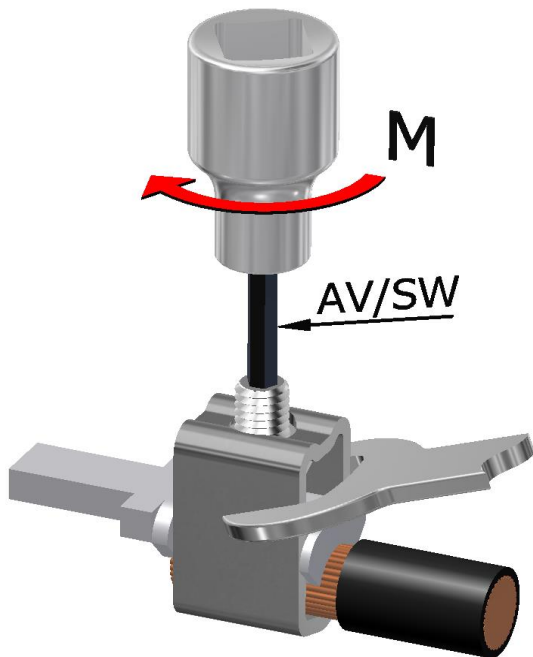
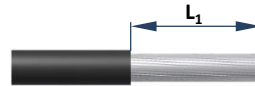
OL-Connectors are suitable for Aluminium- and Copper conductors.

The conductor is mounted under tin plated copper busbar. See picture ->

- Strip cable, see stripping length  $L_1$  (table below)
- Remove any layers of oxide.
- Segmental conductors have to be rounded before mounting.



Connection				
Screw head for tool	SW	4 mm	Conductors	1xAl/Cu 25-95 mm <sup>2</sup>
Tightening torque M	25-95 mm <sup>2</sup>	20 Nm	Stripping length	$L_1$ 27±2 mm
	-	-		
	-	-		
	-	-		



- Tighten the screw with torque **M**
- Support connector during tightening.

Wiring, pcs / connection, Cu(Al)							
1,5 mm <sup>2</sup>	2,5 mm <sup>2</sup>	6 mm <sup>2</sup>	10 mm <sup>2</sup>	16 mm <sup>2</sup>	25 mm <sup>2</sup>	35 mm <sup>2</sup>	50 mm <sup>2</sup>
-	-	-	-	-	3(1)	2(1)	1(1)
70 mm <sup>2</sup>	95 mm <sup>2</sup>	120 mm <sup>2</sup>	150 mm <sup>2</sup>	185 mm <sup>2</sup>	240 mm <sup>2</sup>	300 mm <sup>2</sup>	400 mm <sup>2</sup>
1(1)	1(1)	-	-	-	-	-	-

Ouneva Oy

Teollisuustie 21

FI-82730 Tuupovaara

Finland

Tel. +358 400 179 750

[info@ouneva.fi](mailto:info@ouneva.fi)

[www.ounevagroup.fi](http://www.ounevagroup.fi)

[www.ounevaproducts.fi](http://www.ounevaproducts.fi)