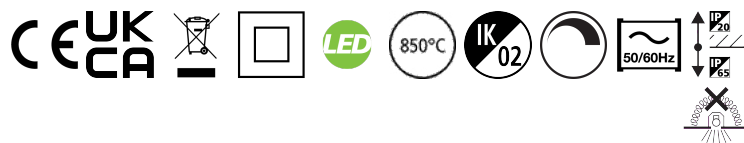


# Concord

Solstice 150 IP65 1900lm 940 DALI  
2070172



## Features

- The Solstice 150 IP65 1900lm 940 DALI is a high efficient DALI dimmable downlight luminaire, Colour rendering index Ra>90, Colour temperature: 4000K Neutral White, Class II, Protection rating IP65/IP20, Cut out dimensions: 150mm.

## Product Overview

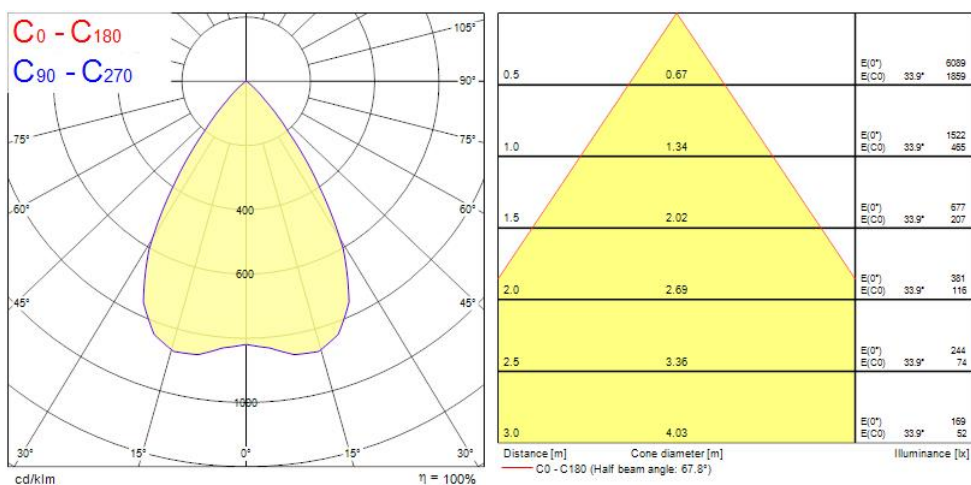
Product name	Solstice 150 IP65 1900lm 940 DALI
Technology	LED
Cap/Base	N/A
Housing	Aluminium
Mount	Ceiling recessed mounting
General application	Hospitality, Office, Retail
ETIM Class	EC001744
Fixture luminous flux (lm)	1900
Luminous flux (lm)	1900
Luminaire efficacy (lm/W)	127
LOR (%)	100
Colour temperature (K)	4000
Light colour	Neutral White
CRI (Ra)	90
Colour Consistency (SDCM)	3
Colour Variation Initial (SDCM)	3
Beam Angle (°)	70
Glare control	< 19
Photobiological Risk Group	RG1

# Concord

## Solstice 150 IP65 1900lm 940 DALI 2070172

<b>Total power consumption (W)</b>	15
<b>Electrical protection</b>	Class II
<b>Control gear type</b>	LED driver constant current
<b>Dimmable</b>	Yes
<b>Minimum dimming level (%)</b>	1
<b>LED Flickering Rate</b>	Ultra low (5% or less)
<b>Housing colour</b>	RAL 9016 - Traffic white / Bezel
<b>IP rating</b>	IP65/20
<b>IK rating</b>	IK02
<b>Product EAN number</b>	5025768701728
<b>Warranty</b>	5 years
<b>Useful luminous flux (#use)</b>	1900
<b>Dimming method</b>	DALI, DALI-2, Switch-dim (mains-rated)

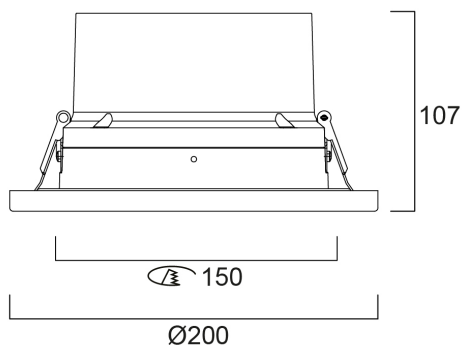
### Photometry



# Concord

Solstice 150 IP65 1900lm 940 DALI  
2070172

## Technical drawings



## Data table

### GENERAL DATA

Product name	Solstice 150 IP65 1900lm 940 DALI
Technology	LED
Cap/Base	N/A
Housing	Aluminium
Mount	Ceiling recessed mounting
General application	Hospitality, Office, Retail
Operating temperature range (°C)	-10°C...+40°C
Performance ambient temperature Tq (°C)	40
ETIM Class	EC001744
Warranty	5 years

### OPTICAL DATA

Useful luminous flux (#use)	1900
Fixture luminous flux (lm)	1900
Luminous flux (lm)	1900

# Concord

## Solstice 150 IP65 1900lm 940 DALI 2070172

Luminaire efficacy (lm/W)	127
LOR (%)	100
Colour temperature (K)	4000
Light colour	Neutral White
CRI (Ra)	90
Colour Variation Initial (SDCM)	3
Colour Consistency (SDCM)	3
Beam Angle (°)	70
Distribution type	Symmetric
Glare control	< 19
Photobiological Risk Group	RG1

### ELECTRICAL DATA

Total power consumption (W)	15
Primary Supply/Product voltage - min (V)	220
Primary Supply/Product voltage - max (V)	240
Lamp power factor	0.98
THD (at 230 V, 50 Hz, full load, at 100% dimming level) ≤ xx.x %	9
Electrical protection	Class II
Control gear required	No
Control gear type	LED driver constant current
Dimmable	Yes
Dimming method	DALI, DALI-2, Switch-dim (mains-rated)
Minimum dimming level (%)	1
Drive current (mA)	400
Inrush Current (A)	18
Inrush Duration (µs)	140
Glow Wire Test (°C)	850
Energy Efficiency Class (A->G) of contained light source	C
Nominal Frequency (Hz)	50/60Hz
LED Flickering Rate	Ultra low (5% or less)
Max. products per 10A C Breaker	36
Max. products per 13A C Breaker	50

# Concord

## Solstice 150 IP65 1900lm 940 DALI 2070172

Max. products per 16A C Breaker	60
Max. products per 20A C Breaker	76
Max. products per 10A B Breaker	22
Max. products per 13A B Breaker	30
Max. products per 16A B Breaker	36
Max. products per 20A B Breaker	46
Connectable conductor cross section - Min (mm <sup>2</sup> )	0.5
Connectable conductor cross section - Max (mm <sup>2</sup> )	2.5

### PHYSICAL DATA

Housing colour	RAL 9016 - Traffic white / Bezel
IP rating	IP65/20
IK rating	IK02
Diffuser finish	Diffuse
Diffuser material	PC Polycarbonate
Reflector finish	High-gloss
Nominal Product Height (mm)	100
Nominal Product Diameter (mm)	165
Cutout Dimensions (W x L in mm or Diameter in mm)	150
Max. Lamp Diameter (mm) - D	165
Weight (kg)	0.95
Recessed Depth (mm)	150

### PACKAGING

Product EAN number	5025768701728
Packaging single length / height (cm)	27.5
Packaging single width (cm)	25.0
Packaging single depth (cm)	12.5
DUN14 (outer)	05025768701728
Units per outer package	1
Packaging outer length / height (cm)	27.5

# Concord

Solstice 150 IP65 1900lm 940 DALI  
**2070172**

Packaging outer width (cm)	25.0
Packaging outer depth (cm)	12.5

## SAFETY DATA

Optimal operating condition (°C)	-10-40
Special purpose lamp	No
Dry applications use only	No
Suitable for household illumination	No