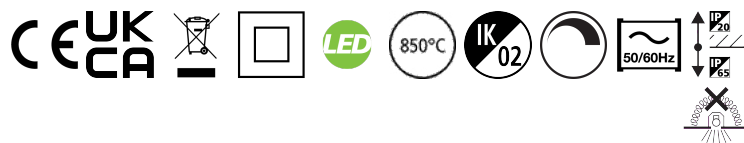


Concord

Solstice 150 IP65 1700lm 930 DALI
2070171



Features

- The Solstice 150 IP65 1700lm 930 DALI is a high efficient DALI dimmable downlight luminaire, Colour rendering index Ra>90, Colour temperature: 3000K Warm White, Class II, Protection rating IP65/IP20, Cut out dimensions: 150mm.

Product Overview

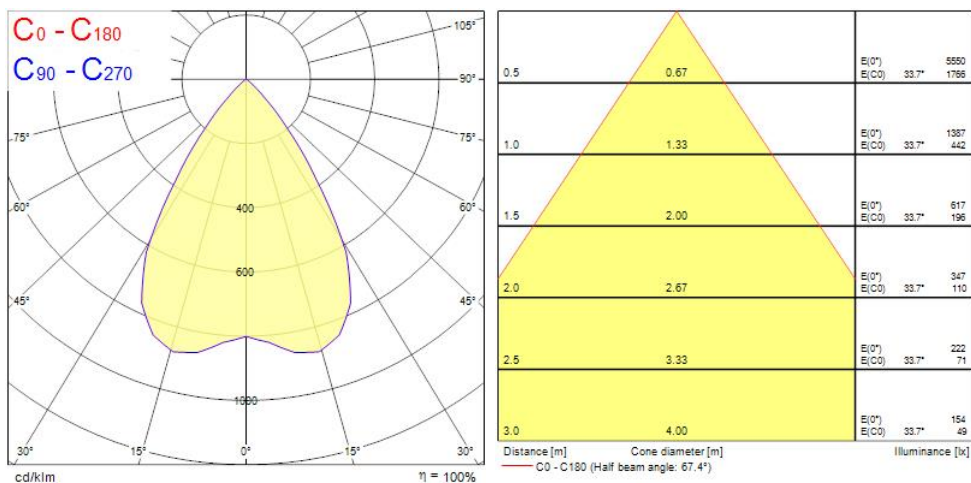
Product name	Solstice 150 IP65 1700lm 930 DALI
Technology	LED
Cap/Base	N/A
Housing	Aluminium
Mount	Ceiling recessed mounting
General application	Hospitality, Office, Retail
ETIM Class	EC001744
Fixture luminous flux (lm)	1700
Luminous flux (lm)	1700
Luminaire efficacy (lm/W)	113
LOR (%)	100
Colour temperature (K)	3000
Light colour	Warm White
CRI (Ra)	90
Colour Consistency (SDCM)	3
Colour Variation Initial (SDCM)	3
Beam Angle (°)	70
Glare control	< 19
Photobiological Risk Group	RG1

Concord

Solstice 150 IP65 1700lm 930 DALI 2070171

Total power consumption (W)	15
Electrical protection	Class II
Control gear type	LED driver constant current
Dimmable	Yes
Minimum dimming level (%)	1
LED Flickering Rate	Ultra low (5% or less)
Housing colour	RAL 9016 - Traffic white / Bezel
IP rating	IP65/20
IK rating	IK02
Product EAN number	5025768701711
Warranty	5 years
Useful luminous flux (#use)	1700
Dimming method	DALI, DALI-2, Switch-dim (mains-rated)

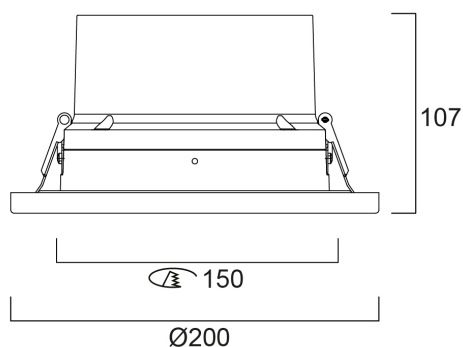
Photometry



Concord

Solstice 150 IP65 1700lm 930 DALI
2070171

Technical drawings



Data table

GENERAL DATA

Product name	Solstice 150 IP65 1700lm 930 DALI
Technology	LED
Cap/Base	N/A
Housing	Aluminium
Mount	Ceiling recessed mounting
General application	Hospitality, Office, Retail
Operating temperature range (°C)	-10°C...+40°C
Performance ambient temperature Tq (°C)	40
ETIM Class	EC001744
Warranty	5 years

OPTICAL DATA

Useful luminous flux (#use)	1700
Fixture luminous flux (lm)	1700
Luminous flux (lm)	1700

Concord

Solstice 150 IP65 1700lm 930 DALI 2070171

Luminaire efficacy (lm/W)	113
LOR (%)	100
Colour temperature (K)	3000
Light colour	Warm White
CRI (Ra)	90
Colour Variation Initial (SDCM)	3
Colour Consistency (SDCM)	3
Beam Angle (°)	70
Distribution type	Symmetric
Glare control	< 19
Photobiological Risk Group	RG1

ELECTRICAL DATA

Total power consumption (W)	15
Primary Supply/Product voltage - min (V)	220.0
Primary Supply/Product voltage - max (V)	240
Lamp power factor	0.98
THD (at 230 V, 50 Hz, full load, at 100% dimming level) ≤ xx.x %	9
Electrical protection	Class II
Control gear required	No
Control gear type	LED driver constant current
Dimmable	Yes
Dimming method	DALI, DALI-2, Switch-dim (mains-rated)
Minimum dimming level (%)	1
Drive current (mA)	400
Inrush Current (A)	18
Inrush Duration (µs)	140
Glow Wire Test (°C)	850
Energy Efficiency Class (A->G) of contained light source	C
Nominal Frequency (Hz)	50/60Hz
LED Flickering Rate	Ultra low (5% or less)
Max. products per 10A C Breaker	36
Max. products per 13A C Breaker	50

Concord

Solstice 150 IP65 1700lm 930 DALI 2070171

Max. products per 16A C Breaker	60
Max. products per 20A C Breaker	76
Max. products per 10A B Breaker	22
Max. products per 13A B Breaker	30
Max. products per 16A B Breaker	36
Max. products per 20A B Breaker	46
Connectable conductor cross section - Min (mm ²)	0.5
Connectable conductor cross section - Max (mm ²)	2.5

PHYSICAL DATA

Housing colour	RAL 9016 - Traffic white / Bezel
IP rating	IP65/20
IK rating	IK02
Diffuser finish	Diffuse
Diffuser material	PC Polycarbonate
Reflector finish	High-gloss
Nominal Product Height (mm)	100
Nominal Product Diameter (mm)	165
Cutout Dimensions (W x L in mm or Diameter in mm)	150
Max. Lamp Diameter (mm) - D	165
Weight (kg)	0.95
Recessed Depth (mm)	150

PACKAGING

Product EAN number	5025768701711
Packaging single length / height (cm)	27.5
Packaging single width (cm)	25.0
Packaging single depth (cm)	12.5
DUN14 (outer)	05025768701711
Units per outer package	1
Packaging outer length / height (cm)	27.5

Concord

Solstice 150 IP65 1700lm 930 DALI
2070171

Packaging outer width (cm)	25.0
Packaging outer depth (cm)	12.5

SAFETY DATA

Optimal operating condition (°C)	-10-40
Special purpose lamp	No
Dry applications use only	No
Suitable for household illumination	No