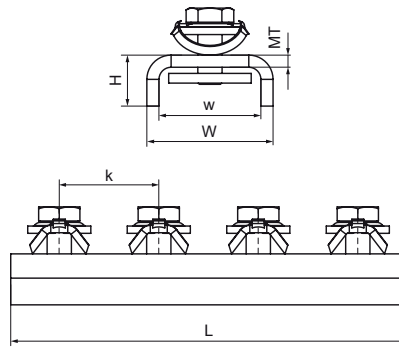


Walraven RapidStrut® Rail Connector - U-shaped G2 (BUP1000)

(H2889)

to make Strut rail fabrications



Features & benefits

- connector with pre-assembled Walraven RapidStrut® Slide nut(s)
- to make fabrication with Walraven RapidStrut® Rail
- ready-to-use pre-assembled for a quick fixing, and retains assembly in place before final tightening
- material: metal parts made of steel 1.0332; spring(s) made of POM (polyoxymethylene), green
- product is part of the Walraven Walraven UltraProtect® 1000 system
- suitable for in- and outdoor applications
- stands min. 1,000 hours salt spray test (max. 5% red rust) according to ISO 9227



Product Number	VVS Number	For Rail Type	Total Height	Total Width	Total Length	Material Thickness	Width	Heart To Heart Distance	Torque Moment For Installation
<i>Reference letter</i>			<i>H</i>	<i>W</i>	<i>L</i>	<i>MT</i>	<i>w</i>	<i>k</i>	<i>T inst.</i>
<i>Unit description</i>			<i>mm</i>	<i>mm</i>	<i>mm</i>	<i>mm</i>	<i>mm</i>	<i>mm</i>	<i>Nm</i>
665885421	018047143	41x21, 41x41, 41x51, 41x62, 41x82	39.9	52	163	5.00	42	41	30