

Deck valve anti-clockwise closing cold - Chrome

SERIES SPECIFIC

20 000 716 Product version from 6/1/2015

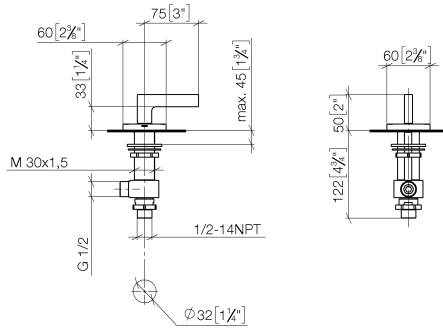
- hole diameter 32 mm
- rosette 60 x 60 mm
- with cold marking



	Chrome	20 000 716-00
	Brushed Platinum	20 000 716-06
	Dark Chrome	20 000 716-19
	Brushed Light Gold (PVD)	20 000 716-27
	Brushed Bronze (PVD)	20 000 716-42
	Brushed Champagne (22kt Gold)	20 000 716-46
	Champagne (22kt Gold)	20 000 716-47
	Brushed Dark Platinum	20 000 716-99

20 000 716 Product version from 6/1/2015

mm [inches]



Flow rate chart



Codes & Standards

ASME A112.18.1 cUPC DIN 4109 ISO 3822

Ü-Zeichen



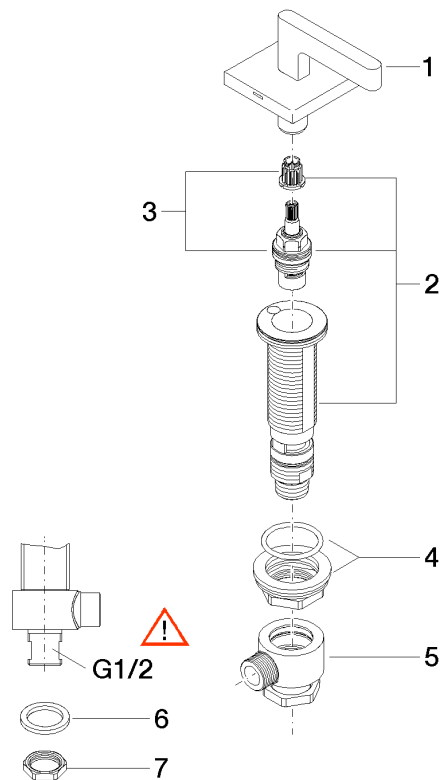
Deck valve anti-clockwise closing cold - Chrome

SERIES SPECIFIC

20 000 716 Product version from 6/1/2015

Certificates and sustainability

IAPMO_4976	LGA_28	EPD-DOR-20230287 -IBA1-EN Environmental.prod uct-declarat
------------	--------	--



Spare parts list

No.	Item Number	Name	Quantity used	Delivery time
3	90 90 03 132 00 90	Head part anti-clockwise closing extended, 7mm 1/2" -	1.00	14
6	09 30 11 059 90	Disc -	1.00	14
1	90 20 70 057 01-00	Handle for bath Cold Lever 60 x 60 x 40 mm - Chrome	1.00	20
7	09 23 10 012 90	Mounting Nut SW 24 1/2" -	1.00	14
4	04 23 10 032 78 90	Mounting with seals M30 x 1,5 -	1.00	14
2	04 17 11 058 32 90	Side piece anti-clockwise closing, 1/2" -	1.00	14
5	04 17 11 023 10 90	Connection Distributor, complete 1/2" -	1.00	14