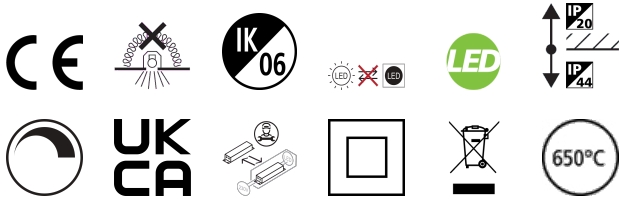


# START Downlight Flat 205 IP44 2200LM 830 DIM

Item No: 0054124

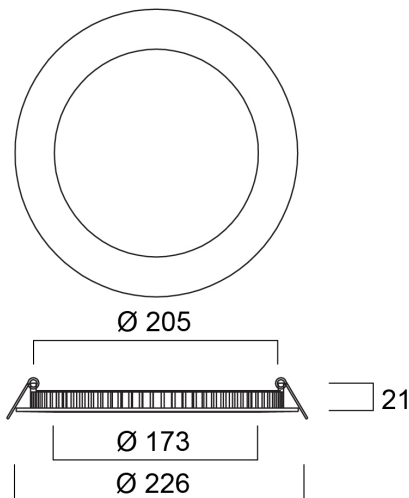
**SYLVANIA**

**START**



## Technical Assets

### Dimensions (mm)

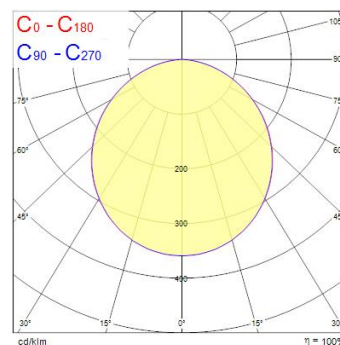


### Photometrics

Distance [m]	Cone diameter [m]	E10° [lx]	E15° [lx]	E30° [lx]	E45° [lx]	E60° [lx]	E75° [lx]	E90° [lx]
0.5	1.41 1.43	3161	54.7° 208	55.1° 296				
1.0	2.82 2.87	790	54.7° 79	55.1° 74				
1.5	4.24 4.30	351	54.7° 34	55.1° 33				
2.0	5.65 5.73	195	54.7° 19	55.1° 19				
2.5	7.06 7.17	126	54.7° 12	55.1° 12				
3.0	8.47 8.60	85	54.7° 8	55.1° 8				

Distance [m]      Cone diameter [m]      Illuminance [lx]

— C0 - C180 (Half beam angle: 110.2°)  
— C90 - C270 (Half beam angle: 105.4°)



# START Downlight Flat 205 IP44 2200LM 830 DIM

Item No: 0054124

**SYLVANIA**

## General data

Product name	START Downlight Flat 205 IP44 2200LM 830 DIM
Technology	LED
Cap/Base	N/A
Housing	Aluminium
Mount	Ceiling recessed mounting
General application	Hospitality
Operating temperature range (°C)	-20°C...+40°C
Performance ambient temperature Tq (°C)	25
ETIM Class	EC001744
E-number FI	4278501
Warranty	5 years

## Optical data

Useful luminous flux (Φuse)	2200
Fixture luminous flux (lm)	2200
Luminaire efficacy (lm/W)	92
Correlated colour temperature (k)	3000
Light colour	Warm White
CRI (Ra)	80
Colour Variation Initial (SDCM)	SDCM3
Beam Angle (°)	120
Distribution type	Symmetric
Glare control	< 28
Photobiological Risk Group	RG0

## Electrical data

Total power consumption (W)	24
Primary Supply/Product voltage - min (V)	220
Lamp power factor	0.9
Electrical protection	Class II
Control gear required	No
Control gear type	LED driver constant current
Dimming method	Mains: leading / trailing edge
Drive current (mA)	600
Inrush Current (A)	4.16
Inrush Duration (µs)	112
Energy Efficiency Class (A->G) of contained light source	E
Nominal Frequency (Hz)	50Hz
LED Flickering Rate	Ultra low (5% or less)
Max. products per 10A C Breaker	51
Max. products per 13A C Breaker	67
Max. products per 16A C Breaker	82
Max. products per 20A C Breaker	103
Max. products per 20A B Breaker	103
Connectable conductor cross section - Min (mm²)	0.75
Connectable conductor cross section - Max (mm²)	1.5

## Lifetime data

Lifespan L70 B50	78000
Lifespan L80 B20	43000
Lifespan L80 B10	42000
Lifespan L90 B10	23000

# START Downlight Flat 205 IP44 2200LM 830 DIM

Item No: 0054124

**SYLVANIA**

## Physical data

Housing colour	RAL 9003 - Signal white
IP rating	IP44/20
IK rating	IK06
Diffuser finish	Opal
Diffuser material	PS Polystyrene
Reflector finish	Not Applicable
Nominal Product Height (mm)	21
Nominal Product Diameter (mm)	226
Built-in diameter (mm)	205
Weight (kg)	0.546

## Packaging

Product EAN number	5410288541242
Packaging single width (cm)	5.0
Packaging single depth (cm)	23.3
DUN14 (inner)	15410288541249
Packaging outer length / height (cm)	53.3

## Safety data

Glow Wire Test (°C)	650
Optimal operating condition (°C)	-20-40