

Product data

Product code	VC01-0014	STK-code	1912020	EAN-code	6410019120202
Product name	OL2x95-240			ETIM class	EC000897
Wires	2xAl/Cu 95-240 mm ²				

Technical data

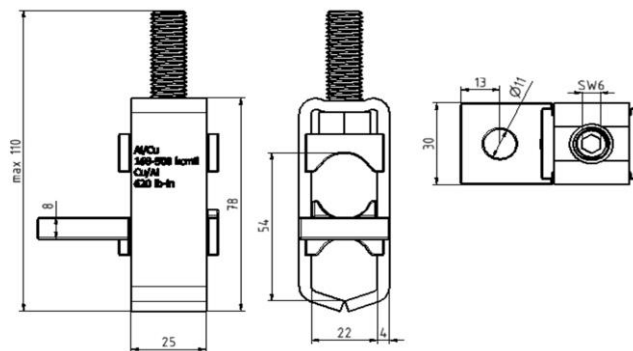
Nominal current (IEC)	Cu	806	A
	Al	631	A
		-	
		-	
		-	
		-	
Number of poles		1	pcs
Max. Cross section		240	mm ²
Tightening torque			
	95-240 mm ²	70	Nm
		-	
		-	
		-	
Operating temperature		80	°C
Weight		345	g
		-	



Standards	UL 486E
Color / Material	Stainless steel/ Tin plated copper
Mounting / Connection	Screw M12

Description

OL-connectors are designed to be used connecting aluminium and copper conductors. Frames are made of stainless steel and busbars of tin plated copper.

Drawing

Package

Package	Box	Pcs / Package	3	Weight [kg]	1,05
Length [mm]	86	Width [mm]	68	Height [mm]	82

Ouneva Oy

Teollisuustie 21
 FI-82730 Tuupovaara
 Finland

www.ounevagroup.fi

www.ounevaproducts.fi